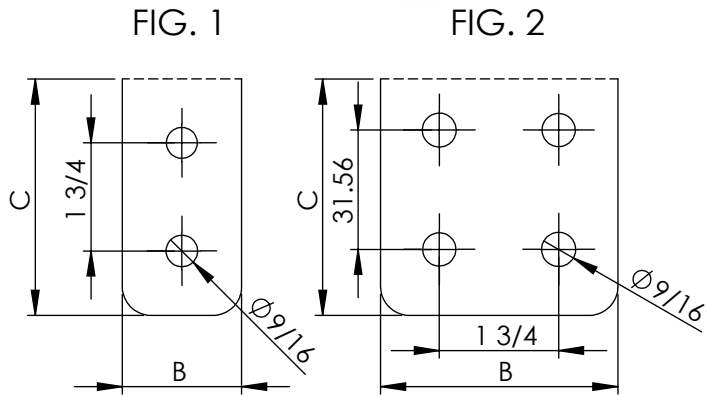
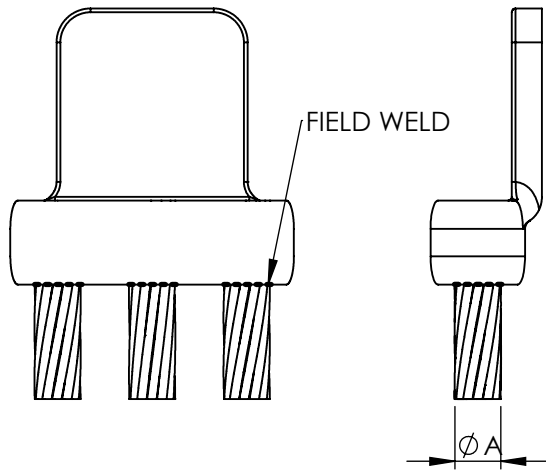
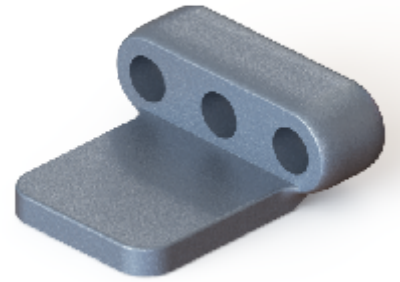




REFERENCE
SOLR3CP

Aluminum alloy welded terminal terminal for connecting three cables to flat pad. Add "TAP" suffix for hardware shield to be included.

Material: Casting - Aluminum Alloy



CATALOG NUMBER	FIG. NO.	CONDUCTOR RANGE		DIMENSIONS	
		A Min	A Max	B	C
SOLR3CP-152N	1	0.47	0.59	2	3
SOLR3CP-153N	2	0.47	0.59	3	3
SOLR3CP-154N	2	0.47	0.59	4	4
SOLR3CP-182N	1	0.63	0.75	2	3
SOLR3CP-183N	2	0.63	0.75	3	3
SOLR3CP-184N	2	0.63	0.75	4	4
SOLR3CP-222N	1	0.79	0.91	2	3
SOLR3CP-223N	2	0.79	0.91	3	3
SOLR3CP-224N	2	0.79	0.91	4	4
SOLR3CP-252N	1	0.94	1.02	2	3
SOLR3CP-253N	2	0.94	1.02	3	3
SOLR3CP-254N	2	0.94	1.02	4	4
SOLR3CP-302N	1	1.06	1.18	2	3
SOLR3CP-303N	2	1.06	1.18	3	3
SOLR3CP-304N	2	1.06	1.18	4	4
SOLR3CP-322N	1	1.22	1.26	2	3
SOLR3CP-323N	2	1.22	1.26	3	3
SOLR3CP-324N	2	1.22	1.26	4	4
SOLR3CP-352N	1	1.30	1.38	2	3
SOLR3CP-353N	2	1.30	1.38	3	3
SOLR3CP-354N	2	1.30	1.38	4	4
SOLR3CP-382N	1	1.42	1.54	2	3
SOLR3CP-383N	2	1.42	1.54	3	3
SOLR3CP-384N	2	1.42	1.54	4	4
SOLR3CP-432N	1	1.57	1.69	2	3
SOLR3CP-433N	2	1.57	1.69	3	3
SOLR3CP-434N	2	1.57	1.69	4	4
SOLR3CP-462N	1	1.73	1.81	2	3
SOLR3CP-463N	2	1.73	1.81	3	3
SOLR3CP-464N	2	1.73	1.81	4	4