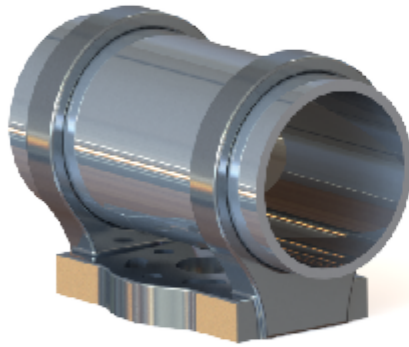




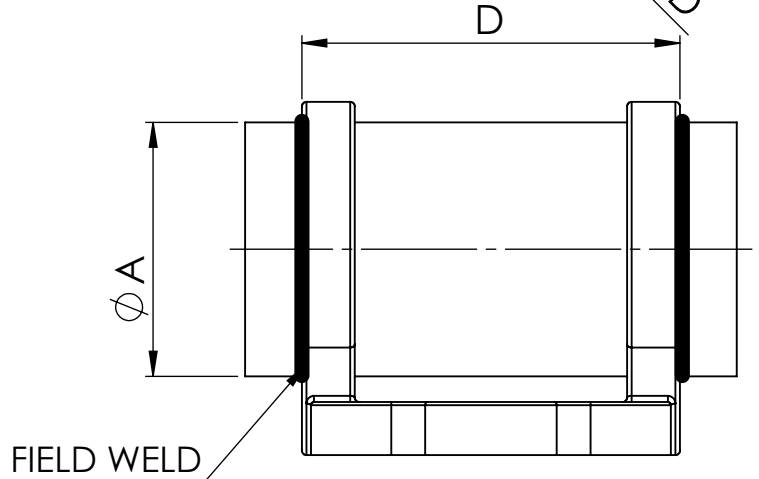
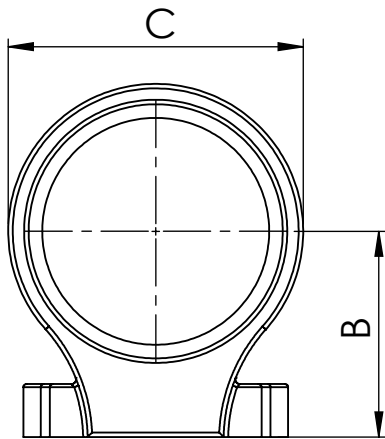
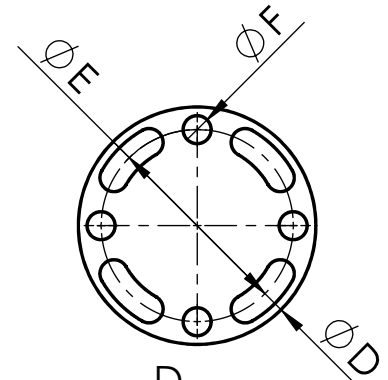
REFERENCE
SOLPEBO

Aluminum alloy welded bus support for connecting aluminum tube to insulator.

**Material:** Alluminum alloy.



ØD	ØE	ØF
4.25	3	9/16
6.22	5	11/16
8.07	7	13/16



CATALOG NUMBER	CONDUCTOR SIZE	INSULATOR	DIMENSIONS		
	A	E	B	C	D
SOLPEBO-3376	1	3	2.24	2.95	6.49
SOLPEBO-33127		5			9.45
SOLPEBO-33178		7			11.42
SOLPEBO-4276	1 1/4	3	2.362	2.95	6.49
SOLPEBO-42127		5			9.45
SOLPEBO-42178		7			11.42
SOLPEBO-4876	1 1/2	3	2.5	2.95	6.49
SOLPEBO-48127		5			9.45
SOLPEBO-48178		7			11.42
SOLPEBO-6076	2	3	2.75	3.15	6.49
SOLPEBO-60127		5			9.45
SOLPEBO-60178		7			11.42

Continued next page...



CONTINUED
SOLPEBO

CATALOG NUMBER	CONDUCTOR SIZE	INSULATOR	DIMENSIONS		
	A	E	B	C	D
SOLPEBO-7376	2 1/2	3	3.15	3.74	6.49
SOLPEBO-73127		5			9.45
SOLPEBO-73178		7			11.42
SOLPEBO-8976	3	3	3.74	4.5	6.49
SOLPEBO-89127		5			9.45
SOLPEBO-89178		7			11.42
SOLPEBO-10176	3 1/2	3	4	5.11	6.49
SOLPEBO-101127		5			9.45
SOLPEBO-101178		7			11.42
SOLPEBO-11476	4	3	4.52	5.51	6.49
SOLPEBO-114127		5			9.45
SOLPEBO-114178		7			11.81
SOLPEBO-14176	5	3	4.92	6.69	7.08
SOLPEBO-141127		5			9.45
SOLPEBO-141178		7			11.81
SOLPEBO-16876	6	3	5.31	7.67	7.48
SOLPEBO-168127		5			9.85
SOLPEBO-168178		7			12.20