

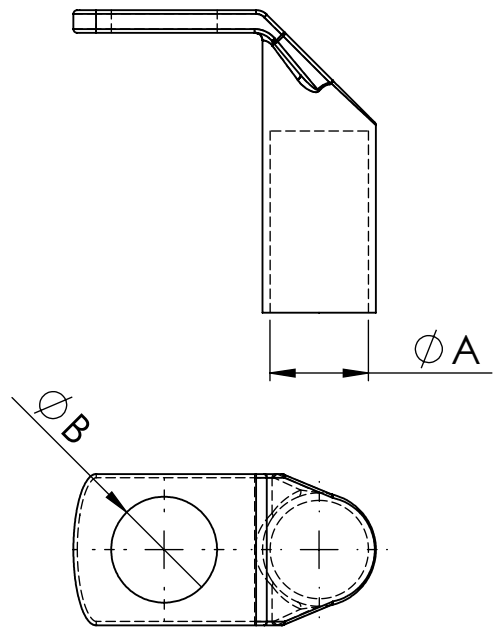


| |
|-----------|
| REFERENCE |
| LP |

Compression stud for copper cables.

Material: Copper

Hardware: Stainless or Galvanized Steel



NOTE: other dimensions upon request

| CATALOG NUMBER | CONDUCTOR RANGE | DIMENSIONS |
|----------------|-----------------|------------|
| | A | B |
| LP-50/10 | 0.35 | 0.39 |
| LP-50/13 | 0.35 | 0.51 |
| LP-70/10 | 0.41 | 0.39 |
| LP-70/13 | 0.41 | 0.51 |
| LP-95/13 | 0.49 | 0.51 |
| LP-95/16 | 0.49 | 0.63 |
| LP-120/14 | 0.55 | 0.55 |
| LP-120/16 | 0.55 | 0.63 |
| LP-150/14 | 0.62 | 0.55 |
| LP-150/16 | 0.62 | 0.63 |
| LP-185/16 | 0.69 | 0.63 |