

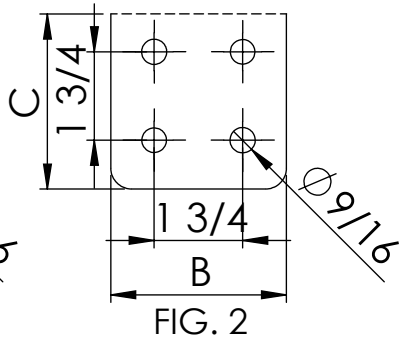
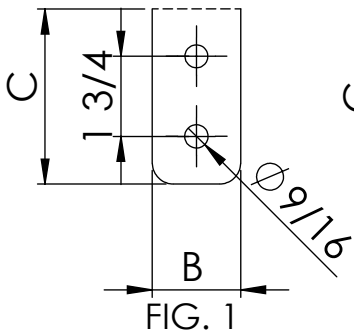
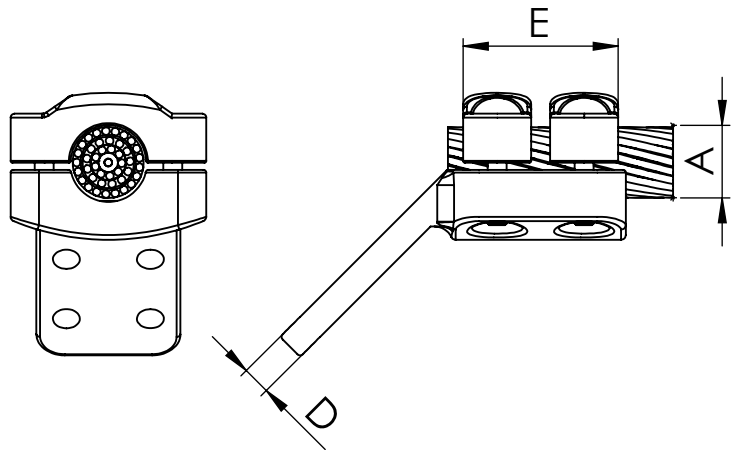
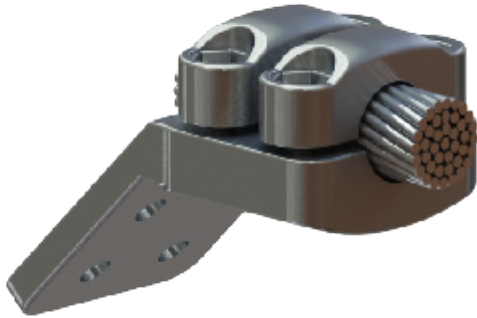


REFERENCE
MLCP45

45° terminal for cable to flatbar.

Material: Casting - Aluminum Alloy

Hardware: Stainless or Galvanized Steel



NOTE: other flat dimensions & hole patterns available

Add "-/TAP" to include hardware shield

CATALOG NUMBER	FIG NO.	CONDUCTOR RANGE (A)		DIMENSIONS				Tightening torque (ft.lb)
		Min.	Max.	B	C	D	E	A
MLCP45-152N	1	0.47	0.59	2	3	0.59	3.23	20
MLCP45-153N	2	0.47	0.59	3	3	0.59	3.23	20
MLCP45-154N	2	0.47	0.59	4	4	0.59	3.23	20
MLCP45-182N	1	0.63	0.75	2	3	0.59	3.23	20
MLCP45-183N	2	0.63	0.75	3	3	0.59	3.23	20
MLCP45-184N	2	0.63	0.75	4	4	0.59	3.23	20
MLCP45-222N	1	0.79	0.91	2	3	0.59	3.23	20
MLCP45-223N	2	0.79	0.91	3	3	0.59	3.23	20
MLCP45-224N	2	0.79	0.91	4	4	0.59	3.23	20
MLCP45-252N	1	0.94	1.02	2	3	0.59	3.23	20
MLCP45-253N	2	0.94	1.02	3	3	0.59	3.23	20
MLCP45-254N	2	0.94	1.02	4	4	0.59	3.23	20
MLCP45-302N	1	1.06	1.18	2	3	0.59	3.23	20
MLCP45-303N	2	1.06	1.18	3	3	0.59	3.23	20
MLCP45-304N	2	1.06	1.18	4	4	0.59	3.23	20



CATALOG NUMBER	FIG NO.	CONDUCTOR RANGE (A)		DIMENSIONS				Tightening torque (ft.lb)
		Min.	Max.	B	C	D	E	A
MLCP45-322N	1	1.22	1.26	2	3	0.59	3.35	40
MLCP45-323N	2	1.22	1.26	3	3	0.59	3.35	40
MLCP45-324N	2	1.22	1.26	4	4	0.59	3.35	40
MLCP45-352N	1	1.30	1.38	2	3	0.79	3.35	40
MLCP45-353N	2	1.30	1.38	3	3	0.79	3.35	40
MLCP45-354N	2	1.30	1.38	4	4	0.79	3.35	40
MLCP45-382N	1	1.42	1.54	2	3	0.79	3.35	40
MLCP45-383N	2	1.42	1.54	3	3	0.79	3.35	40
MLCP45-384N	2	1.42	1.54	4	4	0.79	3.35	40
MLCP45-432N	1	1.57	1.69	2	3	0.79	3.35	40
MLCP45-433N	2	1.57	1.69	3	3	0.79	3.35	40
MLCP45-434N	2	1.57	1.69	4	4	0.79	3.35	40
MLCP45-553N	2	2.12	2.2	3	3	0.79	3.85	40
MLCP45-554N	2	2.12	2.2	4	4	0.79	3.85	40