

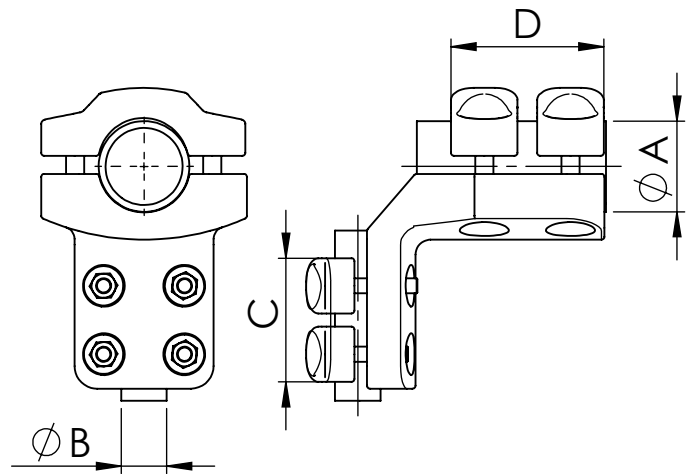
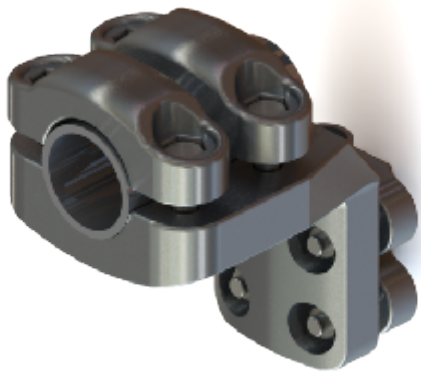


REFERENCE
MLBB

90° terminal for tube to tube.

Material: Casting - Aluminum Alloy

Hardware: Stainless or Galvanized Steel



CATALOG NUMBER	DIMENSIONS				Tightening torque (ft.lb)	
	A	B	C	D	A	B
MLBB-3333	1	1	3.35	3.35	40	40
MLBB-4233	1 1/4	1	3.35	3.35	40	40
MLBB-4248	1 1/4	1 1/2	3.94	3.35	40	40
MLBB-4260	1 1/4	2	3.94	3.35	40	40
MLBB-4833	1 1/2	1	3.35	3.94	40	40
MLBB-4842	1 1/2	1 1/4	3.35	3.94	40	40
MLBB-4860	1 1/2	2	3.94	3.94	40	40
MLBB-6033	2	1	3.35	3.94	40	40
MLBB-6042	2	1 1/4	3.35	3.94	40	40
MLBB-6048	2	1 1/2	3.94	3.94	40	40
MLBB-7333	2 1/2	1	3.35	3.94	40	40
MLBB-7342	2 1/2	1 1/4	3.54	3.94	40	40
MLBB-7348	2 1/2	1 1/2	3.94	3.94	40	40
MLBB-7360	2 1/2	2	3.94	3.94	40	40
MLBB-10133	3 1/2	1	3.54	3.94	40	40
MLBB-10142	3 1/2	1 1/4	3.54	3.94	40	40
MLBB-10148	3 1/2	1 1/2	3.94	3.94	40	40
MLBB-10160	3 1/2	2	3.94	3.94	40	40
MLBB-11433	4	1	3.54	4.33	55	40
MLBB-11442	4	1 1/4	3.54	4.33	55	40
MLBB-11448	4	1 1/2	3.94	4.33	55	40
MLBB-11460	4	2	3.94	4.33	55	40
MLBB-14133	5	1	3.54	4.72	55	40
MLBB-14142	5	1 1/4	3.54	4.72	55	40
MLBB-14148	5	1 1/2	3.94	4.72	55	40
MLBB-14160	5	2	3.94	4.72	55	40