



# ALUMINUM ANGLE CONNECTORS

Aluminum terminal for cable to flatbar

REFERENCE
SMLCP

**Material:** Casting-aluminum alloy  
**Hardware:** Stainless or Galvanized Steel

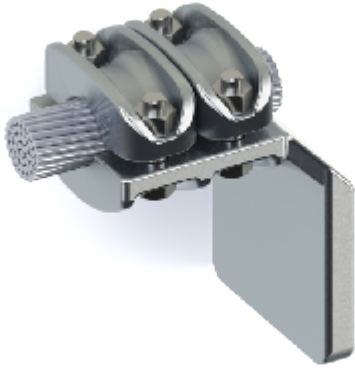


FIG. 1

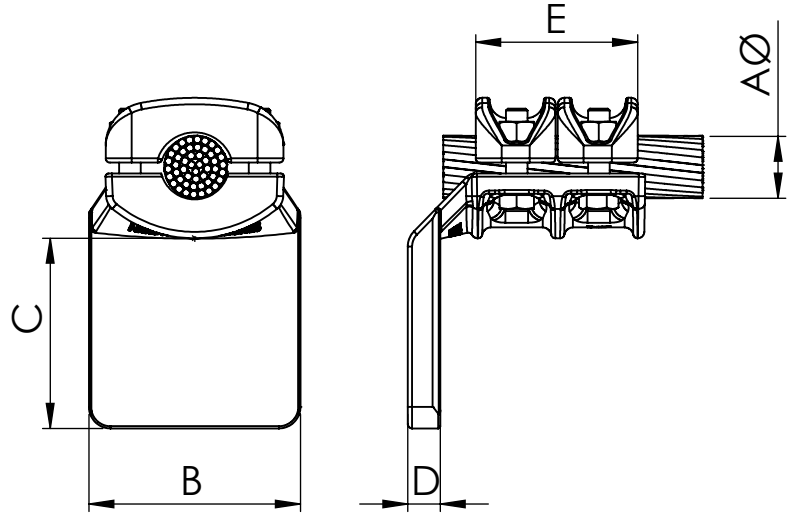
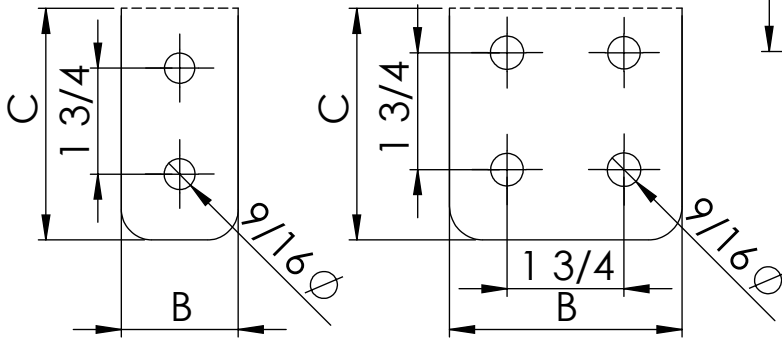


FIG. 2



Note: \*other flat dimensions & hole patterns available\*

CATALOG NUMBER	FIG NO.	CONDUCTOR RANGE (A)		DIMENSIONS				Tightening torque (ft.lb)
		Min.	Max.	B	C	D	E	A
SMLCP-152N	1	0.47	0.59	2	3	0.51	3.23	20
SMLCP-153N	2	0.47	0.59	3	3	0.51	3.23	20
SMLCP-154N	2	0.47	0.59	4	4	0.51	3.23	20
SMLCP-182N	1	0.63	0.75	2	3	0.51	3.23	20
SMLCP-183N	2	0.63	0.75	3	3	0.51	3.23	20
SMLCP-184N	2	0.63	0.75	4	4	0.51	3.23	20
SMLCP-222N	1	0.79	0.91	2	3	0.51	3.23	20
SMLCP-223N	2	0.79	0.91	3	3	0.51	3.23	20
SMLCP-224N	2	0.79	0.91	4	4	0.51	3.23	20
SMLCP-252N	1	0.94	1.02	2	3	0.51	3.23	20
SMLCP-253N	2	0.94	1.02	3	3	0.51	3.23	20
SMLCP-254N	2	0.94	1.02	4	4	0.51	3.23	20
SMLCP-302N	1	1.06	1.18	2	3	0.51	3.23	20
SMLCP-303N	2	1.06	1.18	3	3	0.51	3.23	20
SMLCP-304N	2	1.06	1.18	4	4	0.51	3.23	20
SMLCP-322N	1	1.22	1.26	2	3	0.51	3.23	20
SMLCP-323N	2	1.22	1.26	3	3	0.51	3.23	20
SMLCP-324N	2	1.22	1.26	4	4	0.51	3.23	20
SMLCP-352N	1	1.30	1.38	2	3	0.51	3.35	20
SMLCP-353N	2	1.30	1.38	3	3	0.51	3.35	20
SMLCP-354N	2	1.30	1.38	4	4	0.51	3.35	20
SMLCP-382N	1	1.42	1.54	2	3	0.51	3.35	20
SMLCP-383N	2	1.42	1.54	3	3	0.51	3.35	20
SMLCP-384N	2	1.42	1.54	4	4	0.51	3.35	20
SMLCP-432N	1	1.57	1.69	2	3	0.51	3.35	20
SMLCP-433N	2	1.57	1.69	3	3	0.51	3.35	20
SMLCP-434N	2	1.57	1.69	4	4	0.51	3.35	20