



Flatbar pad to stud for grounding.

Material: Casting-Aluminum Alloy

| |
|-------------|
| REFERENCE |
| APFP-7/8-4N |

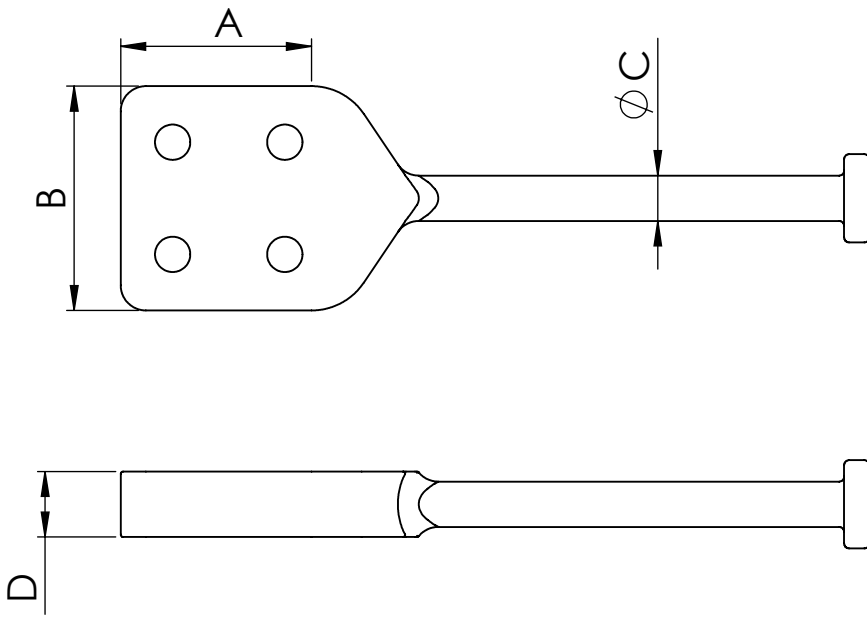
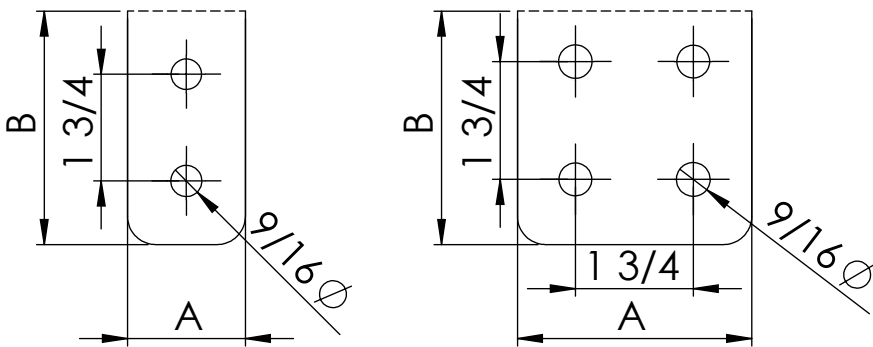


FIG. 1

FIG. 2



| CATALOG NUMBER | FIG NO. | DIMENSIONS | | | |
|----------------|---------|------------|---|-----|-----|
| | | A | B | C | D |
| APFP-7/8-2N | 1 | 2 | 3 | 7/8 | 1/2 |
| APFP-7/8-3N | 2 | 3 | 3 | 7/8 | 1/2 |
| APFP-7/8-4N | 2 | 4 | 4 | 7/8 | 1/2 |