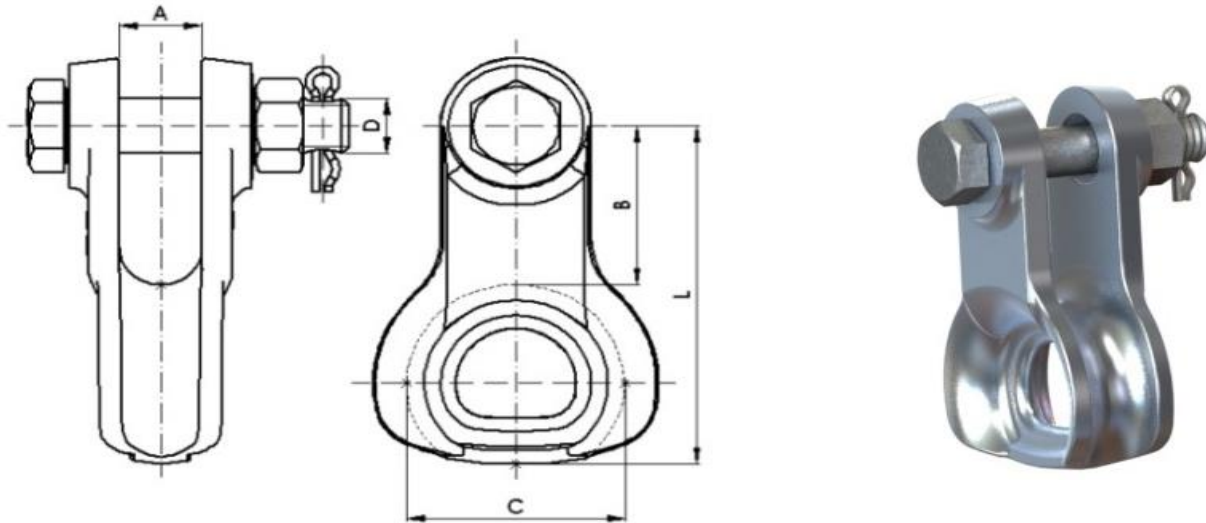




Industrias Arruti

11. PREFORMED CLAMPS FOR ADSS CABLES

THIMBLE



Material: Nodular cast EN-1563 (similar to ASTM A536).

Locking Pin: Stainless Steel (AISI 304)

Steel parts finish: Hot dip galvanising ASTM A153.

Bolt: ASTM A325.

Nut: ASTM A563.

Reference	Dimensions (inch)					Ultimate strength (lb)	Weight (lb)
	A	B	C	D	L		
G-16/AM	0,87	1,85	2,28	5/8	3,94	28.000	1,7