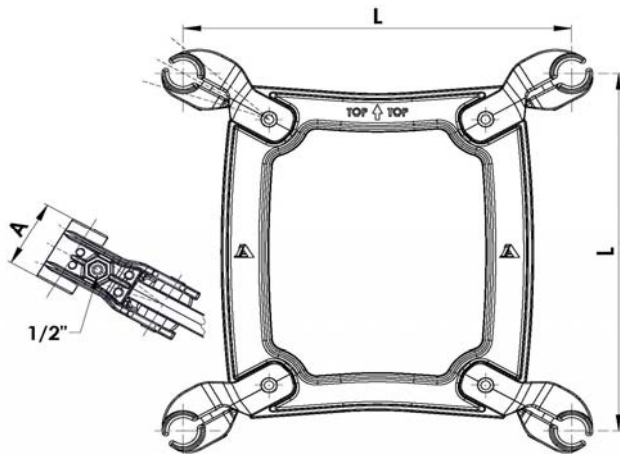




Industrias Arruti

SPACER DAMPER CUADRUPLE BUNDLE



Material: Body: Alloy A1. EN-1706 (similar to ANSI A413.0). Keeper: Alloy A1. EN-1706 (similar to ANSI A413.0). Steel Parts finish: Hot dip galvanising ASTM A153.				Bolt: ASTM A325. Nut: ASTM A563. Insert: Neoprene		
Reference	Ø Conductor (inch)		Dimensions (inch)		Tightening Torque (ftlb)	Weight (lb)
	Min.	Max.	A	L		
SPD-C-L/Ø23-26	0,91	1,01	3,15	L	25	-
SPD-C-L/Ø26-28	1,01	1,11	3,15	L	25	-
SPD-C-L/Ø28-31	1,11	1,22	3,15	L	25	-
SPD-C-L/Ø31-33	1,22	1,32	3,15	L	25	-
SPD-C-L/Ø33-37	1,32	1,46	3,15	L	25	-
SPD-C-L/Ø37-40	1,46	1,59	3,15	L	25	-
SPD-C-L/Ø40-44	1,59	1,73	3,15	L	25	-

NOTE: "L" lengths upon request.