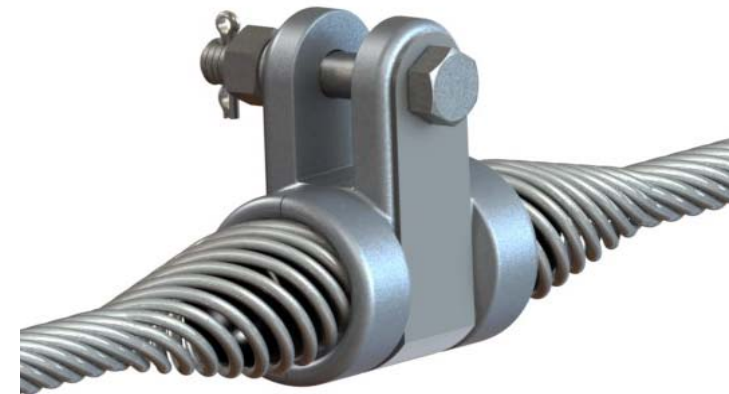
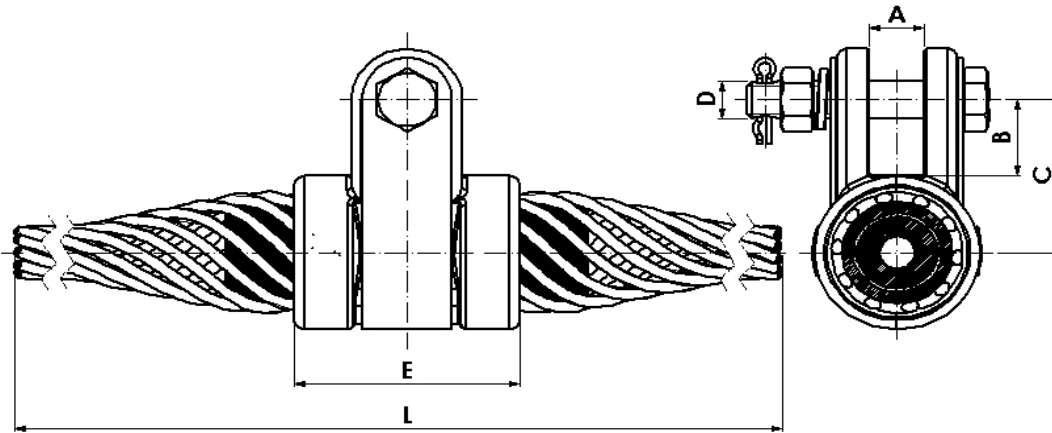




Industrias Arruti

06 ARMOUR GRIP SUSPENSION CLAMP FOR ALUMOWELD CABLES



Application: Galvanised steel ground cables covered in aluminium.

Material: Alloy A1. EN-1706 (similar to ANSI A413.0).

Steel parts finish: Hot dip galvanising ASTM A153.

Bolt: ASTM A325.

Nuts: ASTM A563.

Lockin pins: Stainless steel. Collage: Stainless steel.

Reference	Ø Conductor (inch)		Dimensions (inch)						Armour Rods		Ultimate strength	Weight
	Min.	Max.	A	B	C	D	E	L	Ø Rods	Nº	(lb)	(lb)
GAS-1/8,5-AW/AM	0,33	0,35	0,79	1,18	2,2	5/8	2,56	43,31	0,13	9	11000	2,69
GAS-1/9-AW/AM	0,35	0,37	0,79	1,18	2,2	5/8	2,56	50	0,13	10	11000	3,03
GAS-1/9,5-AW/AM	0,37	0,39	0,79	1,18	2,2	5/8	2,56	50	0,13	10	11000	3,03
GAS-1/10-AW/AM	0,39	0,43	0,79	1,18	2,2	5/8	2,56	44,88	0,13	11	11000	3,02
GAS-1/11-AW/AM	0,43	0,44	0,79	1,18	2,2	5/8	2,56	44,88	0,13	11	11000	3,02
GAS-1/11,5-AW/AM	0,44	0,46	0,79	1,18	2,2	5/8	2,56	55,91	0,14	11	11000	3,99
GAS-1/12-AW/AM	0,46	0,48	0,79	1,18	2,2	5/8	2,56	55,91	0,14	11	11000	4,03

NOTE: The clamps can be provided with stainless steel fasteners (except connection screw to fitting string).