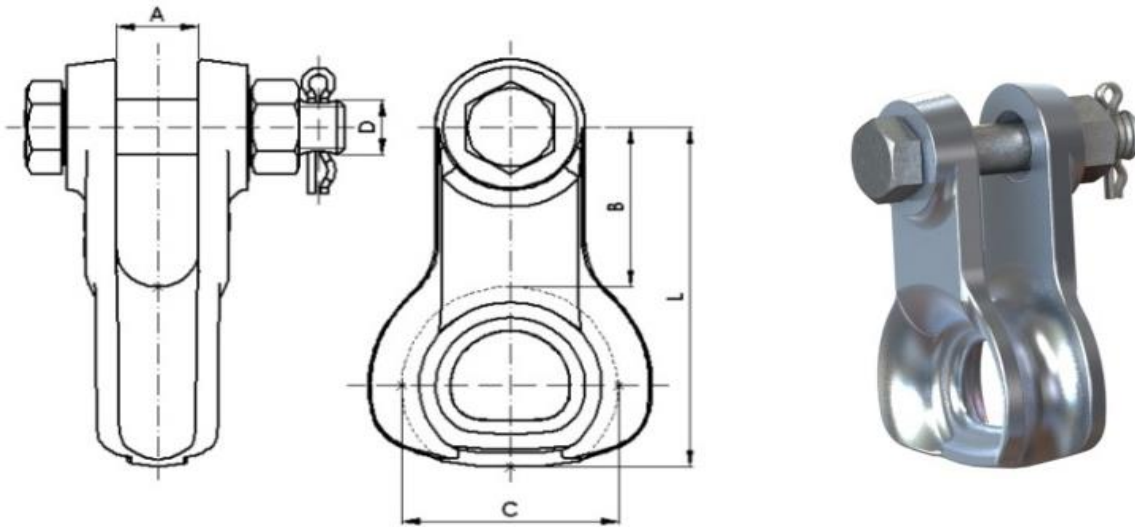




Industrias Arruti

03. PREFORMED CLAMPS FOR GALVANISED STEEL CABLES

THIMBLE



| Material: Nodular cast EN-1563 (similar to ASTM A536). | | | | Locking Pin: Stainless Steel (AISI 304) | | | |
|--|-------------------|------|------|---|------|---------------------------|----------------|
| Steel parts finish: Hot dip galvanising ASTM A153. | | | | Bolt: ASTM A325. | | : ASTM A563. | |
| Reference | Dimensions (inch) | | | | | Ultimate strength (lb) | Weight (lb) |
| | A | B | C | D | L | | |
| G-16/AM | 0,87 | 1,85 | 2,28 | 5/8 | 3,94 | 28.000 | 1,7 |