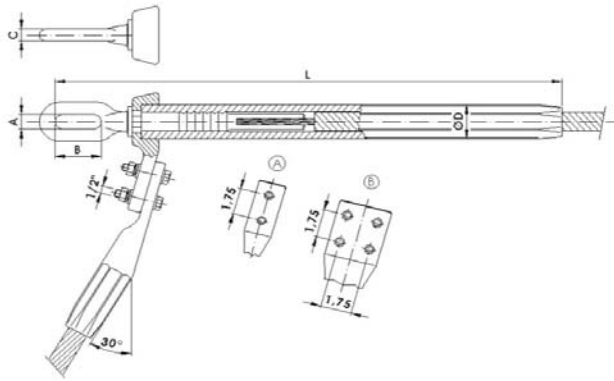




Industrias Arruti

02 STEEL CONDUCTORS COMPRESSION CLAMPS



STEEL CONDUCTORS											
Conductor			Compression fittings				NEMA	Length Before Compression Inches			
Name	Ø Ext. (inch)	Section (kcmil)	Clamp Reference	Series Ø Ext.	Die Size			L	A	B	C
7/16 EHS	0,435		C-70AC/AM-IX	38,5	24AH	12SH	2	17,72	0,9	2,16	0,7
AWG 7#8	0,39		C-80AC/AM-IX	38,5	24AH	12SH	2	17,72	0,9	2,16	0,7

* Jumper connectors can be supplied straight

