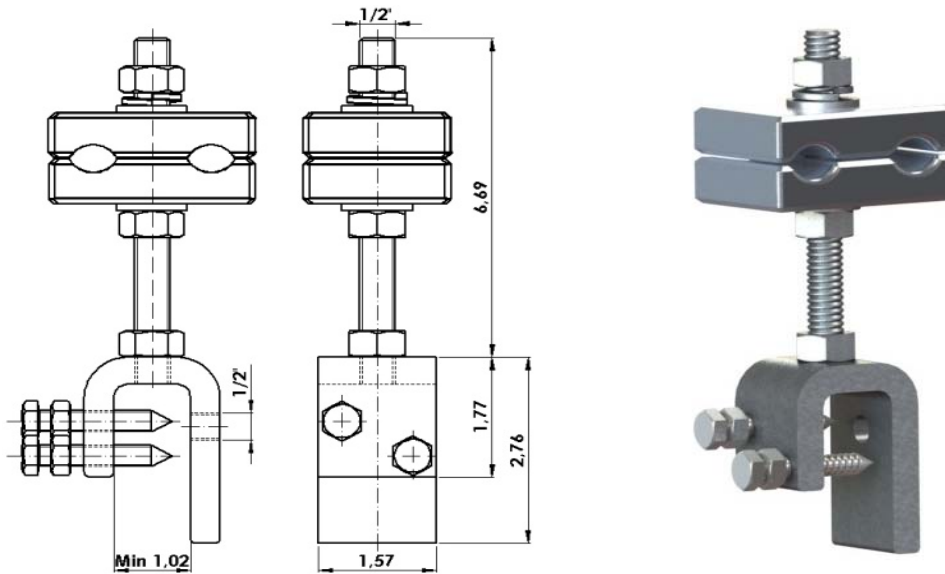




Industrias Arruti

02 DOWN LEAD CLAMPS FOR OPTIC FIBRE CABLES (OPGW)

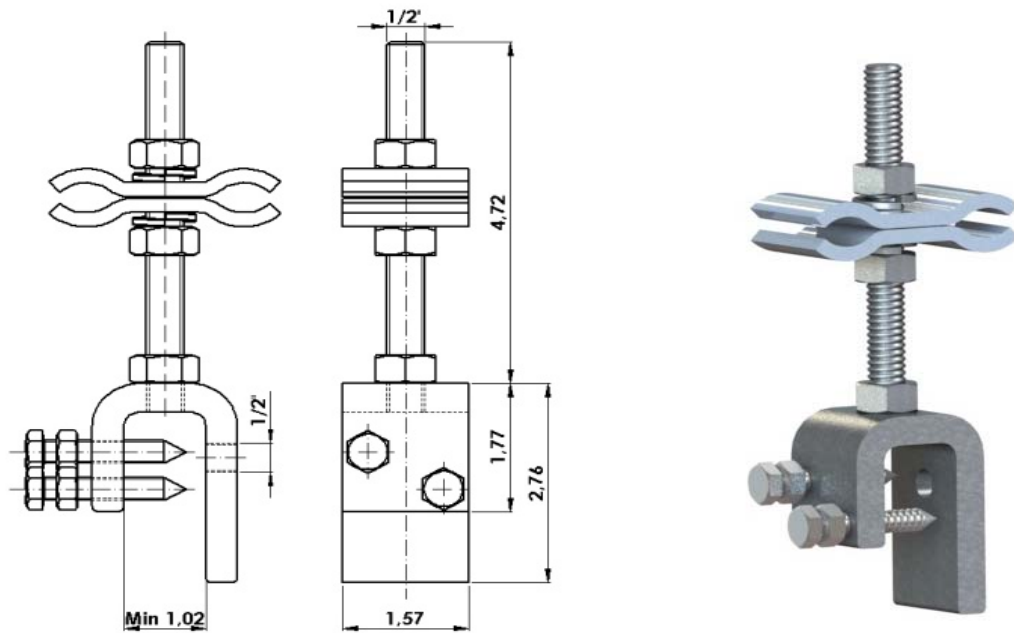


Material: Body: Forged steel EN-10083 (similar to ASTM A576).
Clamp: Alloy A1. EN-1706 (similar to ANSI A413.0).
Steel Parts finish: Hot dip galvanising ASTM A153.

Bolt: ASTM A325 and Stainless steel.
Nut: ASTM A563.

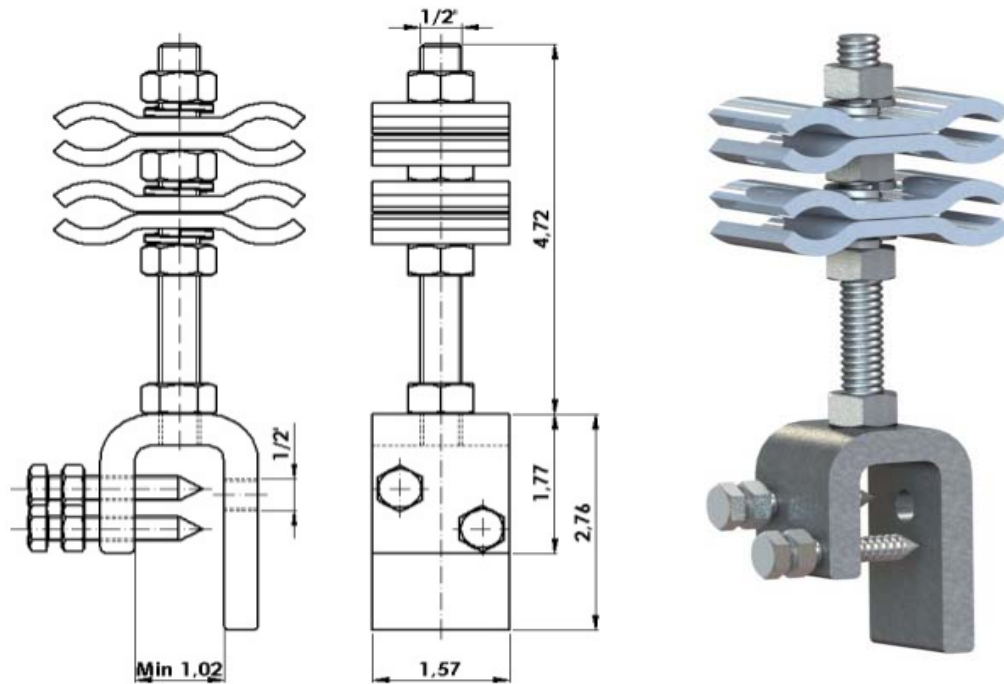
Reference	Ø Conductor (inch)		Tightening Torque Nuts	Tightening Torque Bolts	Weight
	Min.	Max.	(ftlb)	(ftlb)	(lb)
SFO-CD-3/Ø/AM	0,31	0,94	22	15	1,98

NOTE: The diameter ϕ of the cable must be added at the end of the reference
 Special fasteners upon request.



Material: Body: Forged steel EN-10083 (similar to ASTM A576).		Bolt: ASTM A325 and Stainless steel.			
Clamp: Alloy A1. EN-1706 (similar to ANSI A413.0).		Nut: ASTM A563.			
Steel Parts finish: Hot dip galvanising ASTM A153.					
Reference	Ø Conductor (inch)		Tightening Torque Nuts	Tightening Torque Bolts	Weight
	Min.	Max.	(ftlb)	(ftlb)	(lb)
SFO-CD-3/AM	0,31	0,94	22	15	1,43

NOTE: Special fasteners upon request.



Material: Body: Forged steel EN-10083 (similar to ASTM A576).			Bolt: ASTM A325 and Stainless steel.		
Clamp: : Alloy A1. EN-1706 (similar to ANSI A413.0).			Nut: ASTM A563.		
Steel Parts finish: Hot dip galvanising ASTM A153.					
Reference	Ø Conductor (inch)		Tightening Torque Nuts	Tightening Torque Bolts	Weight
	Min.	Max.	(ftlb)	(ftlb)	(lb)
SFO-CD-3/AM (DOUBLE)	0,31	0,94	22	15	1,69

NOTE: Special fasteners upon request.