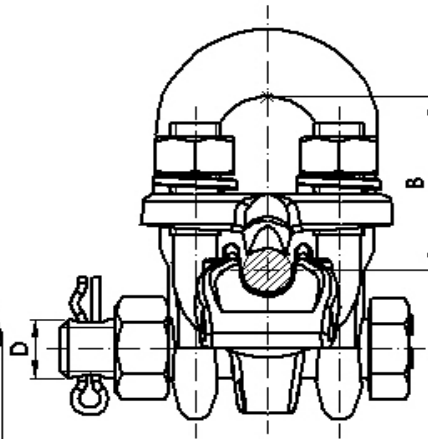
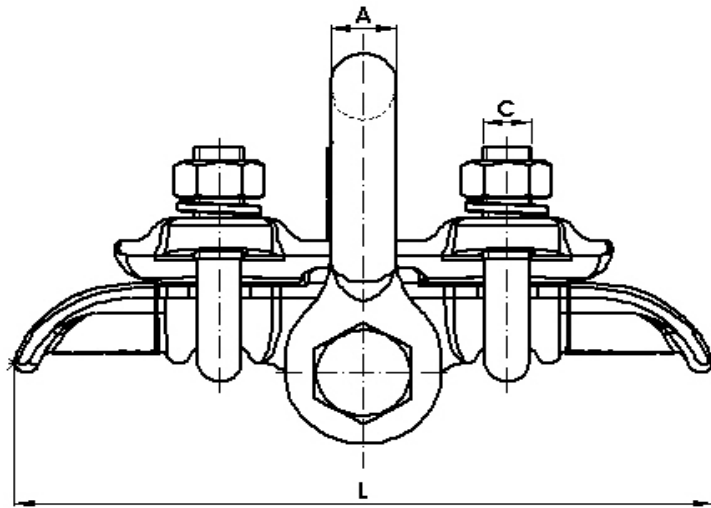




Industrias Arruti

01. SUSPENSION CLAMPS FOR GALVANISED STEEL CABLES



Material: Forged steel according to EN-10083 (similar t ASTM A576).
Steel parts finish: Hot dip galvanising ASTM A153.

Bolt: ASTM A325.
Nuts: ASTM A563.
Lockin pins: Stainless steel.

Reference	Ø Conductor (incho)		Dimensions (inch)					U-Bolts	Tightening	Ultimate strength	Weight
	Min.	Max.	A	B	C	D	L	Nº	Torque (ftlb)	(lb)	(lb)
GS-AC-12/AM	0,2	0,47	0,63	1,85	1/2	5/8	6,69	2	37	18.000	3,42
GS-AC-18/AM	0,47	0,71	0,63	2,56	1/2	5/8	7,87	2	37	25.000	4,94

NOTE: The clamps can be provided with stainless steel fasteners (except connection screw to fitting string).