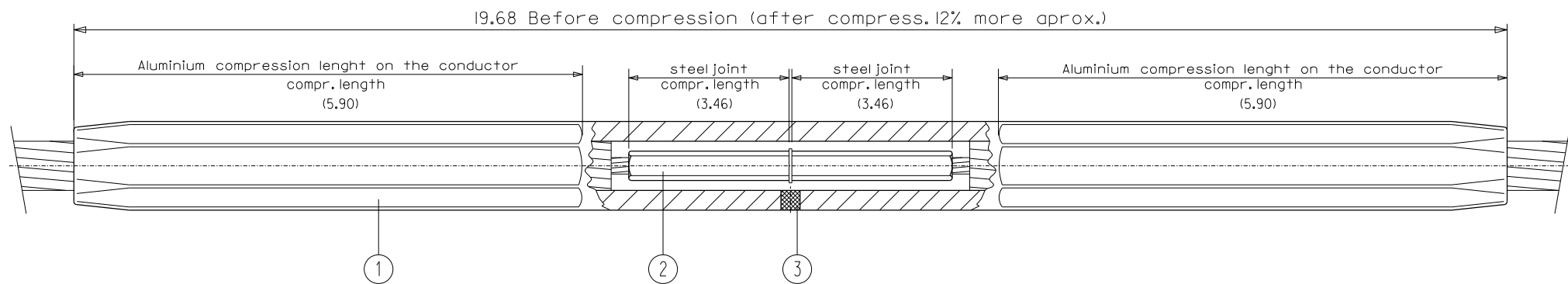
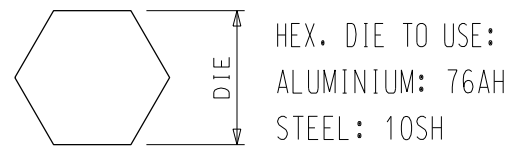
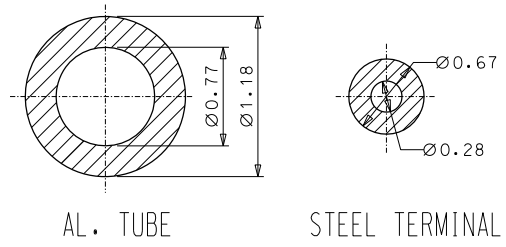


This drawing is property of I. Arruti and must not be copied, exhibited or furnished without the written consent of I. Arruti



MARKS	
-	& LOT
-	REFERENCE OF THE CLAMP
-	CONDUCTOR NAME
-	MIN. RECOMMENDED PRESS
-	DIE SIZE
-	COMPRESSION AREA

DIMENSIONS BEFORE COMPR.



ARCHIVO:usacompression

Notes:

- Hot dip galvanized according to ASTM A153
- Tolerances unless otherwise stated to be up to and including 1.4" ±0.027 Over 1.4" ±2%
- All dimensions in inches

3	1	FILLER PLUG	ALUMINIUM
2	1	STEEL JOINT BODY	STEEL GALVANIZED
1	1	ALUMINIUM JOINT BODY	ALUMINIUM
N	QTY	DENOMINATION	MATERIAL

MOD.	DATE	MODIFICATION				DRAWN BY
 INDUSTRIAS ARRUTI S.A.		CODE				
		FULL TENSION COMPRESSION JOINT EC-198/AM FOR ACSR LINNET CONDUCTOR				
		UNIT (inch)	Aprox. Weight: 1.63 lb			
			U.S.: 95% of conductor R.B.S.			
	DRAWN	J.E.	I-09-20	SCALE	DWG No	ISSUE
	CHECKED	I.L.	I-09-20	D/S	EC198AM	0