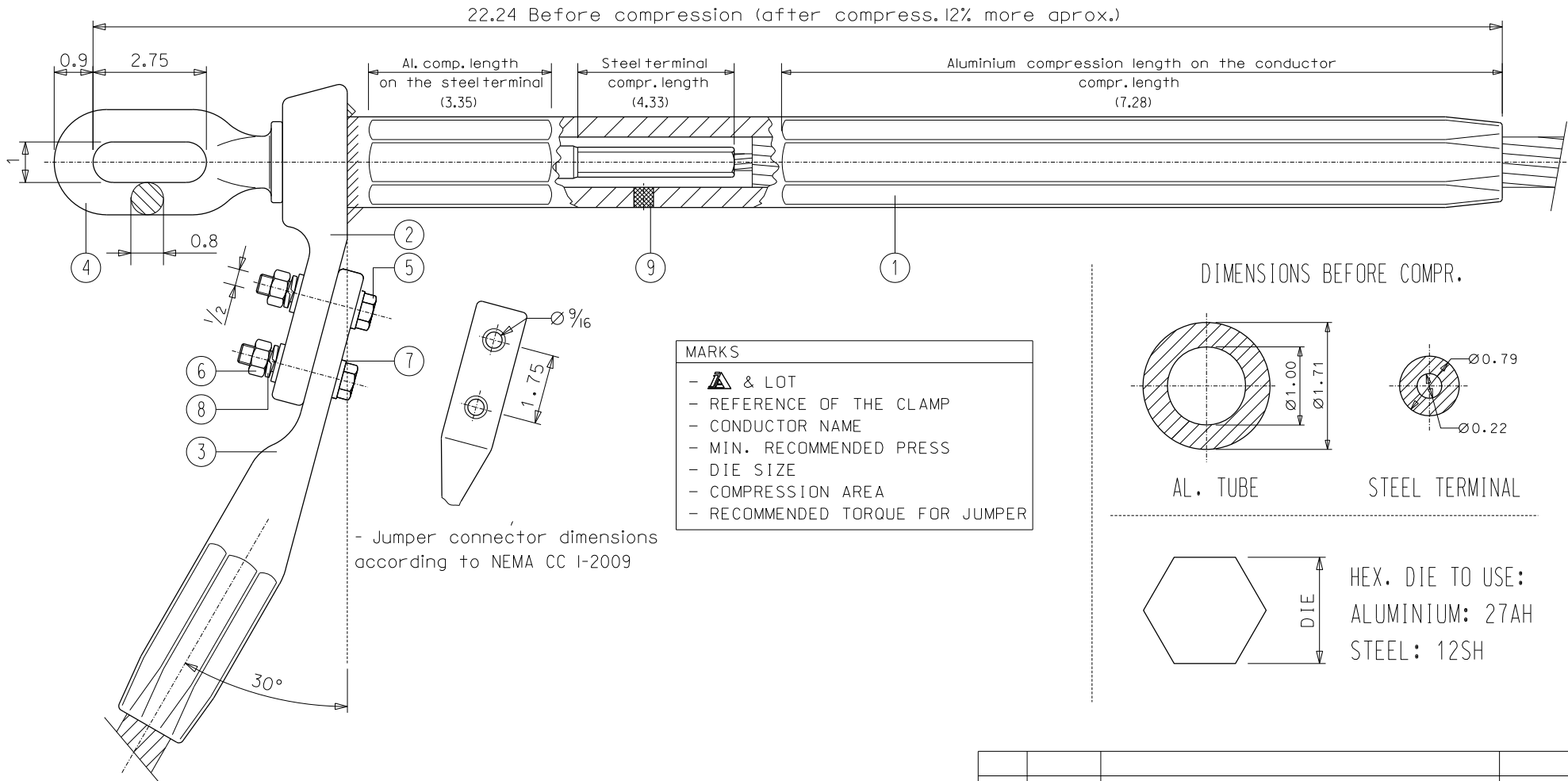


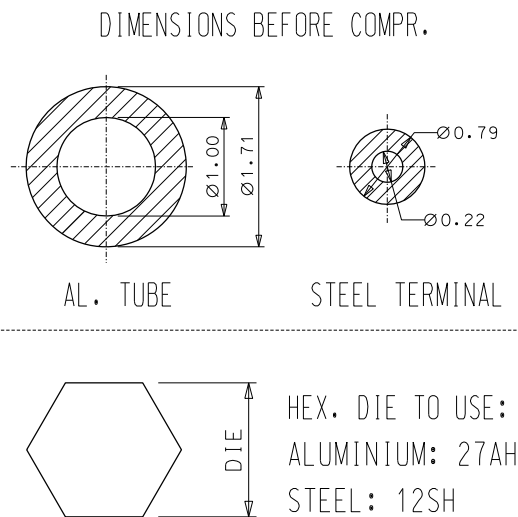
This drawing is property of I. Arruti and must not be copied, exhibited or furnished without the written consent of I. Arruti



- Jumper connector dimensions according to NEMA CC I-2009

MARKS

- & LOT
- REFERENCE OF THE CLAMP
- CONDUCTOR NAME
- MIN. RECOMMENDED PRESS
- DIE SIZE
- COMPRESSION AREA
- RECOMMENDED TORQUE FOR JUMPER



ARCHIVO:usacompression

Notes:

- Both sides of the pad are finished to present excellent electrical contact surfaces
- Electrical connection pads will be supplied with a protective covering
- Hot dip galvanized according to ASTM A153
- Tolerances unless otherwise stated to be up to and including 1.4" ±0.027 Over 1.4" ±2%
- All dimensions in inches

9	1	FILLER PLUG	ALUMINIUM
8	2	SPRING LOCK 1/2" ASME B18.21.I	STAINLESS STEEL
7	4	FLAT WASHER 1/2" ASME B18.21.I	STAINLESS STEEL
6	2	HEX NUT 1/2" ASME B18.2.2	STAINLESS STEEL
5	2	BOLT 1/2"x2.5 ASME B18.2.1	STAINLESS STEEL
4	1	EYE TERMINAL	FORGING STEEL GALV.
3	1	JUMPER CONNECTOR DC-43,5	ALUMINIUM
2	1	DEAD END LUG	ALUMINIUM
1	1	CLAMP BODY	ALUMINIUM
N	QTY	DENOMINATION	MATERIAL

MOD.	DATE	MODIFICATION			DRAWN BY
		CODE			
		EYE TERMINAL COMPRESSION CLAMP C-341/AM-IX FOR ACSR KINGBIRD CONDUCTOR			
		UNIT (inch)	Recomended Torque: 35 f+lb		
			Aprox. Weight: 8.09 lb		
			U.S.: 95% of conductor R.B.S.		
DRAWN	J.E.	04-II-20	SCALE	DWG No	ISSUE
CHECKED	I.L.	04-II-20	D/S	C341AMIX	0

