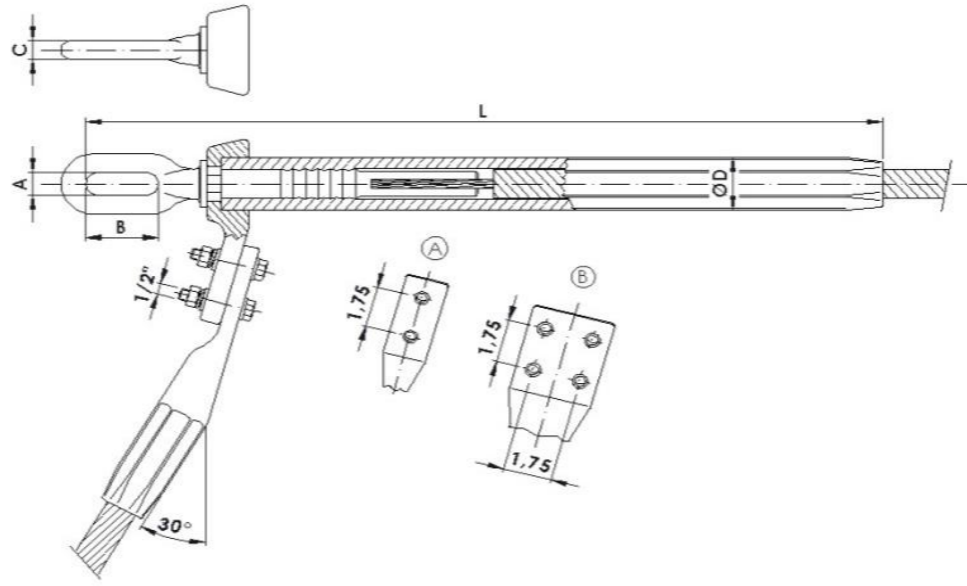




Industrias Arruti

ALUMINIUM CONDUCTORS STEEL SUPORTED (ACSS)



ALUMINIUM CONDUCTORS STEEL SUPORTED (ACSS)																
Conductor			Compression fittings						NEMA	Length Before Compression Inches						
Name	Ø Ext. (inch)	Section (kcmil)	Dead End Clamps	Compression Joints	Repair Sleeves	T Bolted Connectors (NEMA 4)	Jumper Connectors	Series Ø Ext.		Die Size		L	A	B	C	
LINNET	0.72	336.4	C-198-SS/AM-IX	EC-198-SS/AM				DC-38.5x21	38.5	24AH	10SH	4	19.68	2.16	0.9	0.75
ORIOLE	0.74	336.4	C-210-SS/AM-IX	EC-210-SS/AM	ER-30/AM	DR-30/P4/AM		DC-38.5x21	38.5	24AH	12SH	4	19.68	2.16	0.9	0.75
IBIS	0.78	397.5	C-235-SS/AM-IX	EC-235-SS/AM				DC-38.5x21.5	38.5	24AH	10SH	4	19.68	2.16	0.9	0.75
LARK	0.81	397.5	C-248-SS/AM-IX	EC-248-SS/AM	ER-34.5/AM	DR-34.5/P4/AM		DC-43.5x22.5	43.5	27AH	12SH	4	21.85	2.75	1	0.8
HAWK	0.76	477	C-280-SS/AM-IX	EC-280-SS/AM				DC-43.5x24	43.5	27AH	12SH	4	21.85	2.75	1	0.8
SQUAB	0.96	605	C-356-SS/AM-IX	EC-356-SS/AM	ER-38.5/AM	DR-38.5/P4/AM		DC-50.4x27	50.4	32AH	14SH	4	23.42	2.75	1	0.8
GROSBEAK	0.99	636	C-374-SS/AM-IX	EC-374-SS/AM	ER-43.5/AM	DR-43.5/P4/AM		DC-50.4x27	50.4	32AH	14SH	4	23.42	2.75	1	0.8
TERN	1.06	795	C-430-SS/AM-IX	EC-430-SS/AM				DC-54x29/T	54	34AH	14SH	4	25	2.75	1	0.8
PUFIN	1.08	795	C-442-SS/AM-IX	EC-442-SS/AM					54	34AH	12SH	4	25	2.75	1	0.8
DRAKE	1.11	795	C-468-SS/AM-IX	EC-468-SS/AM	ER-47.5/AM	DR-47.5/P4/AM		DC-54x30/T	54	34AH	14SH	4	25	2.75	1	0.8
MALLARD	1.14	795	C-494-SS/AM-IX	EC-494-SS/AM					60	38AH	16SH	4	27.75	2.75	1	0.8
RAIL	1.17	954	C-515-SS/AM-IX	EC-515-SS/AM				DC-60x32	60	38AH	12SH	4	27.75	2.75	1	0.8
CARDINAL	1.20	954	C-540-SS/AM-IX	EC-540-SS/AM				DC-60x32/T	60	38AH	12SH	4	27.75	2.75	1	0.8
TW SUWANNEE	1.11	959.6	C-565-SS/AM-IX	EC-565-SS/AM	ER-50.4/AM	DR-50.4/P4/AM		DC-60x30/T	60	38AH	18SH	4	27.75	2.75	1	0.8
ORTOLAN	1.21	1033.5	C-560-SS/AM-IX	EC-560-SS/AM				DC-63x33/T	63	40AH	10SH	4	28.34	2.75	1	0.8
CURLEW	1.24	1033.5	C-590-SS/AM-IX	EC-590-SS/AM				DC-63x33/T	63	40AH	14SH	4	28.34	2.75	1	0.8
BLUEJAY	1.26	1113	C-603-SS/AM-IX	EC-603-SS/AM	ER-54/AM	DR-54/P4/AM		DC-63x33.5	63	40AH	12SH	4	28.34	2.75	1	0.8
BITTERN	1.34	1272	C-689-SS/AM-IX	EC-689-SS/AM				DC-66x36	66	42AH	14SH	4	30.31	2.75	1	0.8
BUNTING	1.30	1192.5	C-646-SS/AM-IX	EC-646-SS/AM	ER-56.5/AM	DR-56.5/P4/AM		DC-70x35	70	44AH	12SH	4	31.10	2.75	1	0.8
PHEASANT	1.38	1272	C-726-SS/AM-IX	EC-726-SS/AM				DC-70x37.5	70	44AH	16SH	4	31.10	2.75	1	0.8
MARTIN	1.43	1351.5	C-771-SS/AM-IX	EC-771-SS/AM				DC-70x38/T	70	44AH	16SH	4	31.10	2.75	1	0.8
TW PECOS	1.43	1622	C-931-SS/AM-IX	EC-931-SS/AM	ER-60/AM	DR-60/P4/AM		DC-75x39	75	48AH	18SH	4	32.48	2.75	1	0.8
LAPWING	1.51	1590	C-860-SS/AM-IX	EC-860-SS/AM				DC-75x40/T	75	48AH	16SH	4	32.48	2.75	1	0.8
TW CUMBERLAND	1.54	1926.9	C-1100-SS/AM-IX	EC-1100-SS/AM	ER-63/AM	DR-63/P4/AM		DC-75x41/T	75	48AH	20SH	4	32.48	2.75	1	0.8
BLUEBIRD	1.76	2156	C-1181-SS/AM-IX	EC-1181-SS/AM	ER-70/AM	DR-70/P4/AM		DC-75x47	75	48AH	20SH	4	32.48	2.75	1	0.8

Dead end clamps could be supplied with simple or double tongue.
 Jumper connectors can be supplied straight and with or without bolts, nuts & washers.
 Clamps and components for other conductors on request.

