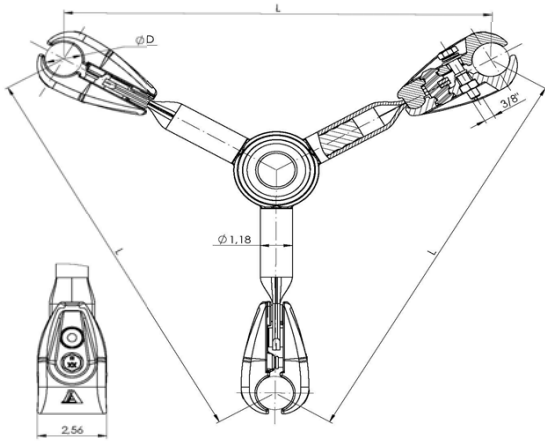




Industrias Arruti

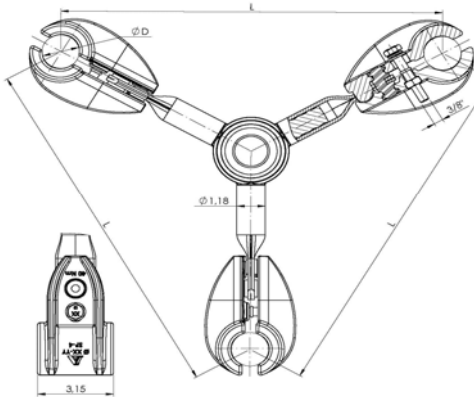
SP-4 SPACERS FOR TRIPLE BUNDLE



Material: Clamp: Aluminum EN-1706 (similar to ANSI A413.0). Bolt: ASTM A325.
 Body: Alloy A1 . EN-755 (similar to ASTM B221). Nut: ASTM A563.
 Steel Parts finish: Hot dip galvanising ASTM A153. Insert: Neoprene

Reference	Ø Conductor (inch)		Dimensions (inch)	Tightening	Weight
	Min.	Max.	L	Torque (ftlb)	(lb)
SP-4-3/13-16/L/AM	0,51	0,63	L	30	-
SP-4-3/16-20/L/AM	0,63	0,79	L	30	-
SP-4-3/20-24/L/AM	0,79	0,94	L	30	-
SP-4-3/24-28/L/AM	0,94	1,10	L	30	-
SP-4-3/28-33/L/AM	1,10	1,30	L	30	-

NOTE: "L" lengths upon request.



Material: Clamp: Aluminum EN-1706 (similar to ANSI A413.0). Bolt: ASTM A325.
 Body: Alloy A1 . EN-755 (similar to ASTM B221). Nut: ASTM A563.
 Steel Parts finish: Hot dip galvanising ASTM A153. Insert: Neoprene

Reference	Ø Conductor (inch)		Dimensions (inch)	Tightening	Weight
	Min.	Max.	L	Torque (in-lb)	(lb)
SP-4/33-35/L/AM	1,30	1,38	L	30	-
SP-4/35-38/L/AM	1,38	1,50	L	30	-
SP-4/38-41/L/AM	1,50	1,61	L	30	-
SP-4/41-44/L/AM	1,61	1,73	L	30	-
SP-4/44-47/L/AM	1,73	1,85	L	30	-
SP-4/47-50/L/AM	1,85	1,97	L	30	-

NOTE: "L" lengths upon request.