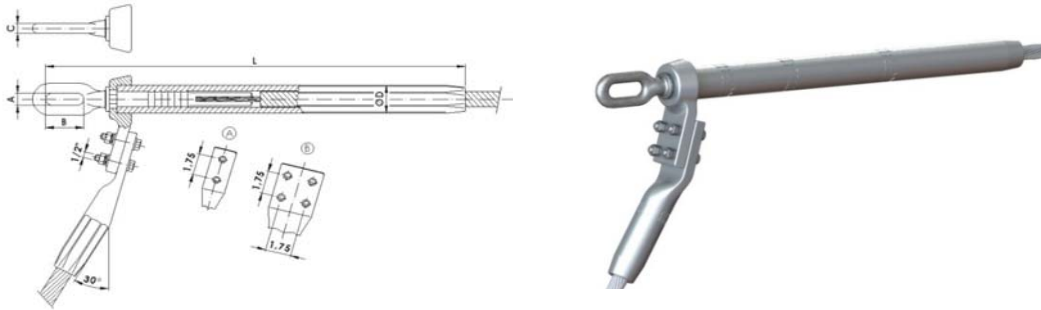




Industrias Arruti

ALUMINIUM CONDUCTORS ALLOY REINFORCED (ACAR)



ALUMINIUM CONDUCTORS ALLOY REINFORCED (ACAR)														
Conductor			Compression fittings							NEMA	Length Before Compression Inches			
Name	Ø Ext. (inch)	Section (kcmil)	Dead End Clamps	Compression Joints	Repair Sleeves	T Bolted Connectors (NEMA 4)	Jumper Connectors	Series	Die Size		L	A	B	C
ACAR 739.8 MCM	0.99	739.8	<a href="#">C-374-AA/AM-IX</a>	EC-374-AA/AM	<a href="#">ER-43.5/AM</a>	<a href="#">DR-43.5/P4/AM</a>	<a href="#">DC-43.5x27/T</a>	43.5	27AH	2	20.86	2.75	1	0.8
ACAR 927.2 MCM	1.11	927.2	<a href="#">C-469-AA/AM-IX</a>	EC-469-AA/AM	<a href="#">ER-47.5/AM</a>	<a href="#">DR-47.5/P4/AM</a>	<a href="#">DC-47.5x29.5/T</a>	47.5	30AH	4	21.65	2.75	1	0.8
ACAR 1700 MCM	1.5	1700	<a href="#">C-861-AA/AM-IX</a>	EC-861-AA/AM	<a href="#">ER-63/AM</a>	<a href="#">DR-63/P4/AM</a>	DC-63x40	63	40AH	4	25.59	2.75	1	0.8
ACAR 1750 MCM	1.53	1750	<a href="#">C-887-AA/AM-IX</a>	EC-887-AA/AM	<a href="#">ER-63/AM</a>	<a href="#">DR-63/P4/AM</a>	DC-63x40	63	40AH	4	25.59	2.75	1	0.8
ACAR 2500 MCM	1.82	2500	<a href="#">C-1266-AA/AM-IX</a>	EC-1266-AA/AM	<a href="#">ER-75/AM</a>	<a href="#">DR-75/P4/AM</a>	DC-75x48.5	75	48AH	4	26.96	2.75	1	0.8

Dead end clamps could be supplied with simple or double tongue.  
 Jumper connectors can be supplied straight and with or without bolts, nuts & washers.  
 Clamps and components for other conductors on request.

