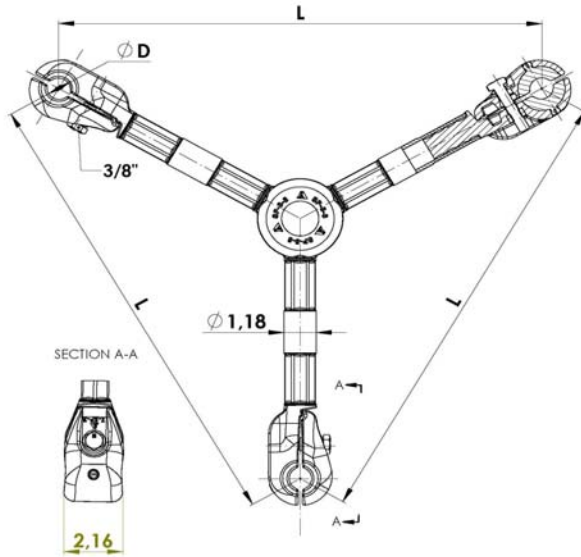




Industrias Arruti

SP-3-3 SPACERS FOR TRIPLE BUNDLE



Material: Clamp: Aluminum EN-1706 (similar to ANSI A413.0).			Bolt: ASTM A325.		
Body: Alloy A1 . EN-755 (similar to ASTM B221).			Nut: ASTM A563.		
Steel Parts finish: Hot dip galvanising ASTM A153.			Insert: Neoprene		
Reference	Ø Conductor (inch)		Dimensions (inch)	Tightening Torque (ftlb)	Weight (lb)
	Min.	Max.			
SP-3-3/13-16/L/AM	0,51	0,63	L	20	-
SP-3-3/16-20/L/AM	0,63	0,79	L	20	-
SP-3-3/20-24/L/AM	0,79	0,94	L	20	-
SP-3-3/24-28/L/AM	0,94	1,1	L	20	-
SP-3-3/28-32/L/AM	1,1	1,26	L	20	-

NOTE: "L" lengths upon request.