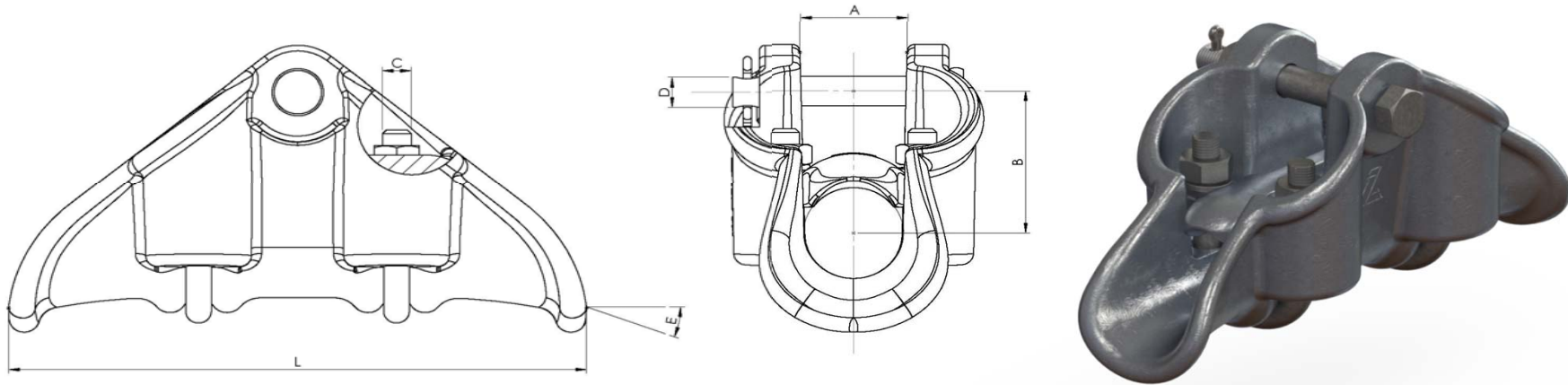




Industrias Arruti

CORONA-FREE SUSPENSION CLAMPS



Application: Conductors AAAC, AAC, ACSR, ... (Conductors Al, and Al-Ac)								Bolt: ASTM A325.			
Material: Body: Alloy Al, EN-1706 (similar to ANSI A413.0).								Nuts: ASTM A563.			
Steel parts finish: Hot dip galvanising ASTM A153.								Locking pins: Stainless steel.			
Reference	Ø Conductor		Dimensions (inch)					U-Bolts Nº	Tightening Torque (ftlb)	Ultimate strength (lb)	Weight (lb)
	Min.	Max.	A	B	C	D	L				
GS-4-AE/AM	0.67	1.02	1.18	2.60	1/2	5/8	10.83	2	30	19,000	4.67
GS-5-AE/AM	1.02	1.38	1.54	2.76	9/16	5/8	11.81	2	45	25,000	5.64
GS-6-AE/AM	1.38	1.85	1.85	2.99	9/16	5/8	12.99	2	45	27,000	7.56
GS-7-AE/AM	1.81	2.24	2.28	2.99	9/16	5/8	12.20	2	45	27,000	8.60

NOTE: The clamps can be provided with stainless steel fasteners (except connection screw to fitting string).
Other kinds of fasteners upon request.