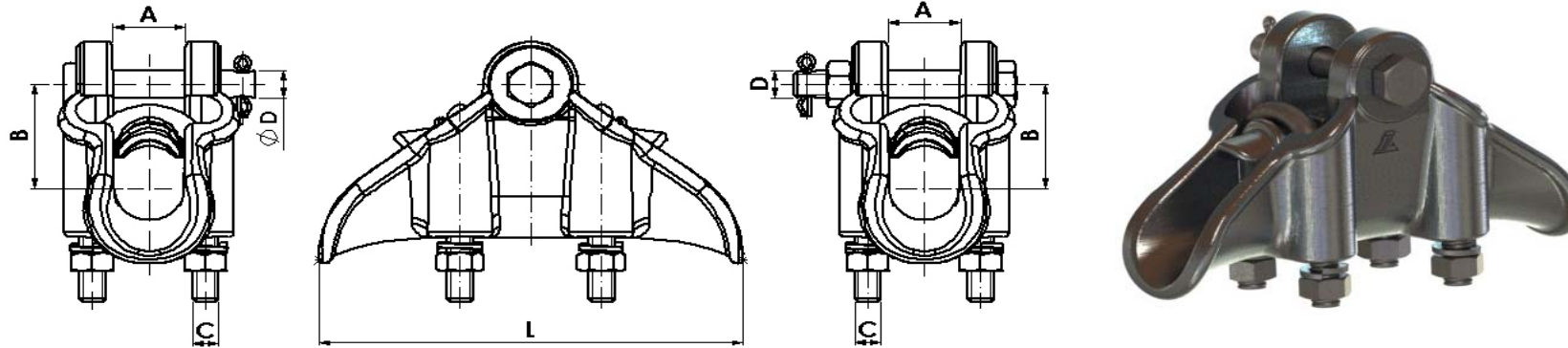




Industrias Arruti

SUSPENSION CLAMPS



Reference	Figure	Ø Conductor		Dimensions (inch)					U-Bolts Nº	Tightening Torque (ftlb)	Ultimate strength (lb)	Weight (lb)
		Min.	Max.	A	B	C	D	L				
GS-1/AM	Fig. 1	0.20	0.47	0.75	1.61	3/8	5/8	5.51	2	20	5,500	1.01
GS-1T/AM	Fig.2	0.20	0.47	0.75	1.61	3/8	5/8	5.51	2	20	5,500	1.01
GS-2/AM	Fig. 1	0.47	0.67	0.75	1.97	1/2	5/8	6.69	2	20	17,000	1.83
GS-2T/AM	Fig. 2	0.47	0.67	0.75	1.97	1/2	5/8	6.69	2	20	17,000	1.83
GS-3/AM	Fig. 1	0.67	0.91	1.06	2.13	1/2	5/8	7.48	2	30	18,000	2.20
GS-3T/AM	Fig. 2	0.67	0.91	1.06	2.13	1/2	5/8	7.48	2	30	18,000	2.20
GS-4T/AM	Fig. 2	0.91	1.10	1.16	2.01	1/2	5/8	7.48	2	25	18,000	2.43
GS-5T/AM	Fig. 2	0.98	1.42	1.54	2.44	9/16	5/8	8.86	2	45	25,000	4.41

Application: Conductors AAAC, AAC, ACSR, ... (Conductors Al, and Al-Ac)
 Material: Body: Alloy Al, EN-1706 (similar to ANSI A413.0).
 Steel parts finish: Hot dip galvanising ASTM A153

Bolt: ASTM A325
 Nuts: ASTM A563
 Lockin pins: Stainless steel

NOTE: The clamps can be provided with stainless steel fasteners (except connection screw to fitting string).
 Other kinds of fasteners upon request.