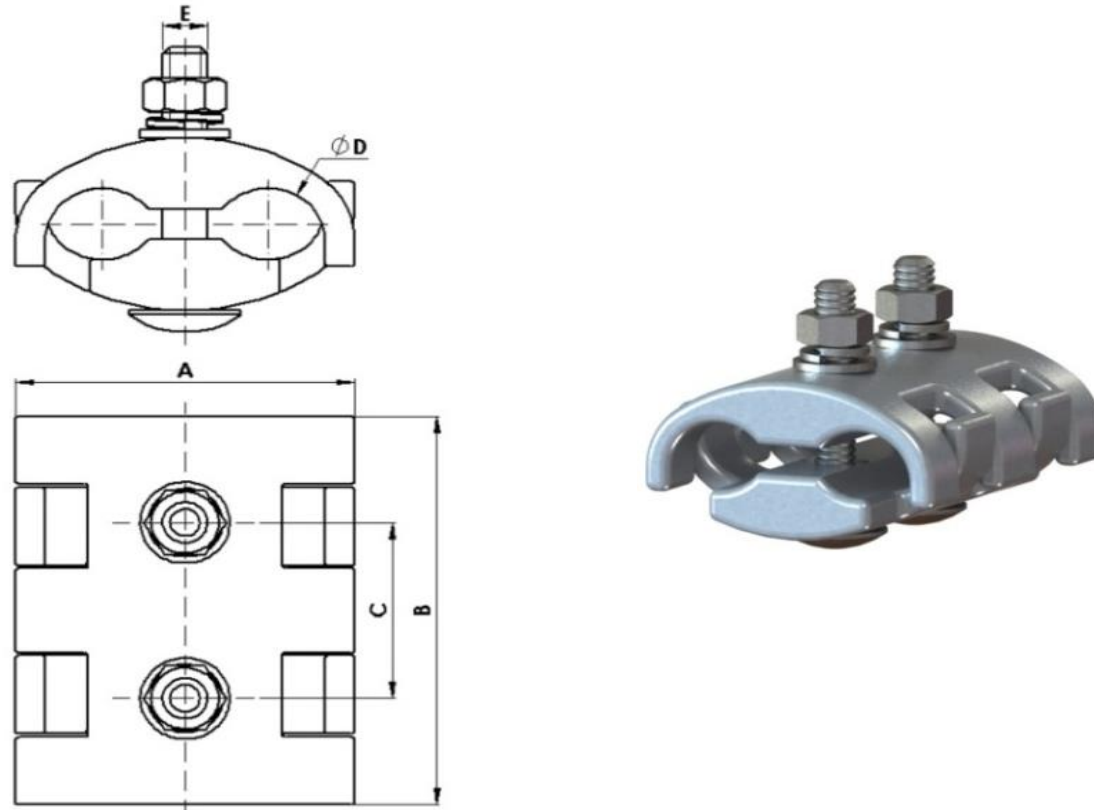




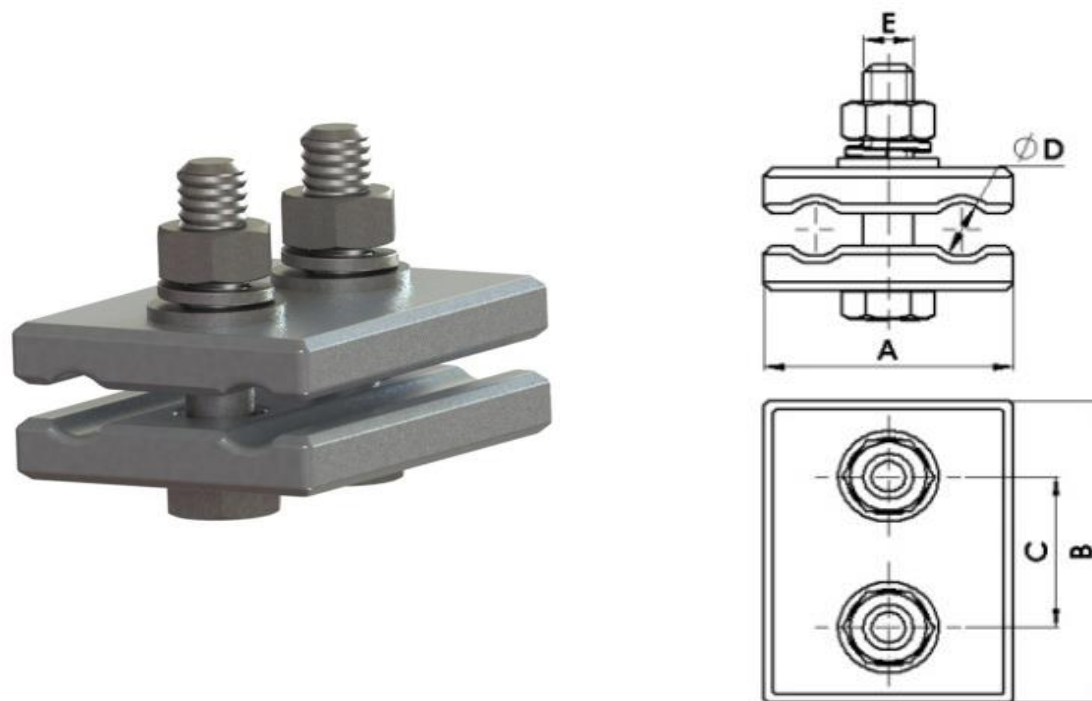
Industrias Arruti

01 PARALLEL CONNECTORS FOR ALUMOWELD, OPGW, AL Y AL-AC CABLES



Reference	ØD Conductor		Dimensions (inch)				Tightening	Weight
	Min.	Max.	A	B	C	E	Torque (ftlb)	(lb)
GPC-8/16/AM	0,31	0,63	2,13	2,34	1,22	3/8	18	0,55
GPC-11/28/AM	0,43	1,1	3,58	4,53	2,05	1/2	22	1,92

NOTE: Special fasteners upon request.



Reference	ØD Conductor		Dimensions (inch)				Tightening	Weight
	Min.	Max.	A	B	C	E	Torque (ftlb)	(lb)
PC-6-14/AM	0,24	0,55	2,36	3,15	1,57	1/2	22	0,99

NOTE: Special fasteners upon request.