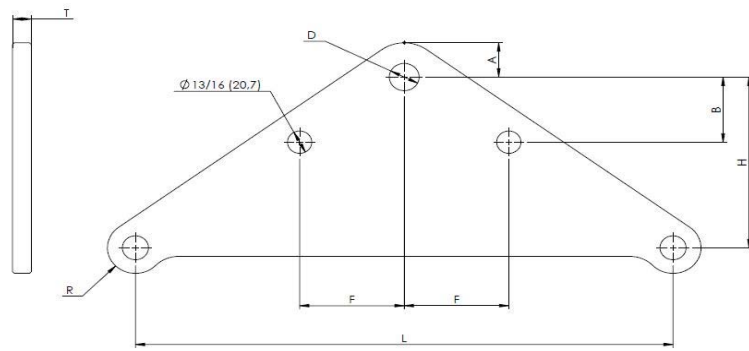


YOKE PLATE DOBLE AGS



Material: Steel plate EN-10025 (similar to ASTM A36 or ASTM A572).
Steel parts finish: Hot dip galvanising ASTM A153.

NOTE: Any another reference can be manufactured upon request.

REFERENCE	DIMENSIONS								Ultimate Strength LBF (kN)	Weight lbs (kg)	Equivalent PLP
	A	B	D	F	H	L	R	T			
YT-20-305-AGS-US	1 (25.4)	None	13/16 (20.6)	None	4 (101.6)	12 (305)	13/16 (20.6)	1/2 (12.7)	30,000 133	15.6 7	YP-5907
YT-25-457-AGS-US	1-1/4 (31.8)	2-3/8 (60.5)	1 (25.4)	3-1/2 (88.9)	6-1/4 (158.6)	18 (457)	15/16 (23.8)	5/8 (15.9)	40,000 (178)	20.8 (9.4)	YP-5908
YT-25-559-AGS-US	1-1/4 (31.8)	2-3/4 (69.9)	1 (25.4)	4-3/16 (106.4)	7-1/4 (184.2)	22 (559)	15/16 (23.8)	5/8 (15.9)	40,000 (178)	33.1 (15)	YP-5909
YT-25-660-AGS-US	1-1/4 (31.8)	3-1/4 (82.6)	1 (25.4)	4-15/16 (106.4)	8-1/2 (215.9)	26 (660)	15/16 (23.8)	3/4 (19.1)	50,000 (222)	40.3 (18.3)	YP-5910
YT-25-737-AGS-US	1-1/4 (31.8)	3-5/8 (92.1)	1 (25.4)	5-1/2 (139.7)	9-1/2 (241.3)	29 (737)	15/16 (23.8)	3/4 (19.1)	50,000 (222)	48.1 (21.8)	YP-5911
YT-25-813-AGS-US	1-1/4 (31.8)	4 (101.6)	1 (25.4)	6-1/8 (155.6)	10-1/2 (266.7)	32 (813)	15/16 (23.8)	3/4 (19.1)	50,000 (222)	59.8 (27.1)	YP-5912
YT-25-940-AGS-US	1-1/4 (31.8)	4-1/2 (114.3)	1 (25.4)	7-1/16 (180.9)	11-3/4 (298.5)	37 (940)	15/16 (23.8)	3/4 (19.1)	50,000 (222)	59.9 (27.2)	YP-5913
YT-25-1066-AGS-US	1-1/4 (31.8)	5 127	1 (25.4)	7-27/32 (199.2)	13 (330.2)	42 (1066.8)	15/16 (23.8)	3/4 (19.1)	50,000 (222)	76 (34.5)	YP-5934