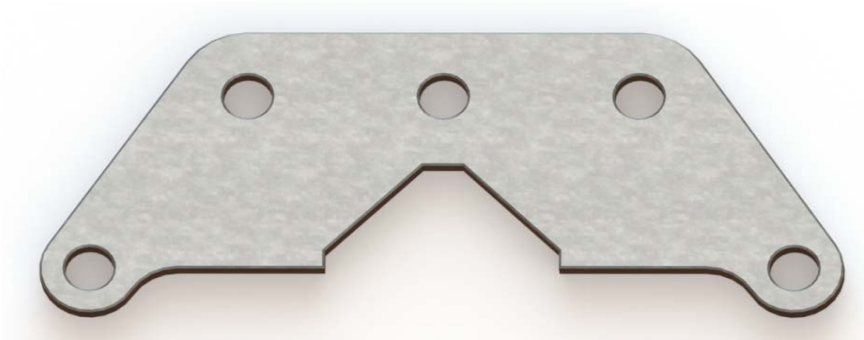
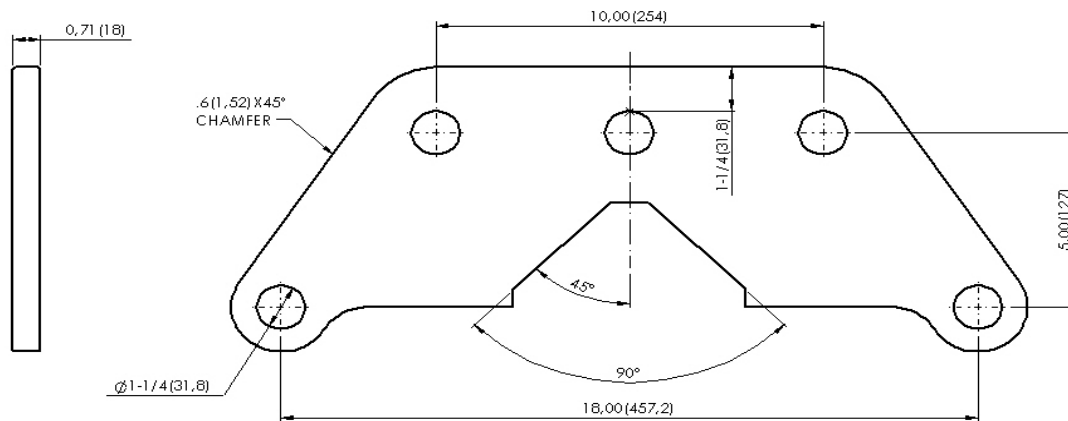




Industrias Arruti

YOKE V PLATE 50,000 lb

YVD-22-254-457-50-US



Material: Steel plate EN-10025 (similar to ASTM A36 or ASTM A572).

Steel parts finish: Hot dip galvanising ASTM A153.

Approximate weight: 20 lbs

Rated Breaking Strength: 50,000 lbs

NOTE: Any another reference can be manufactured upon request.