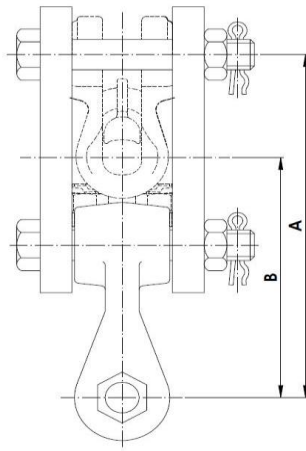
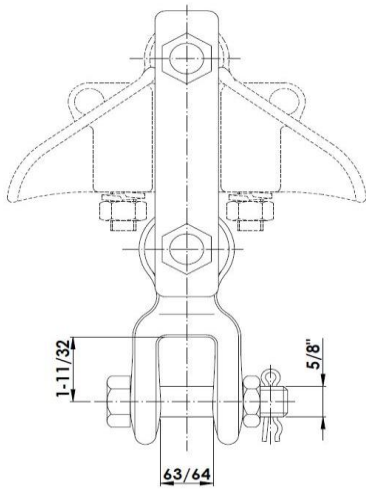


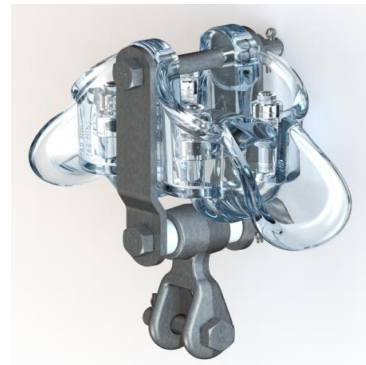
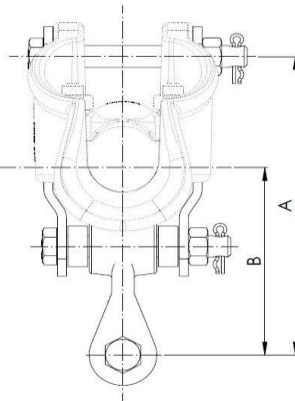
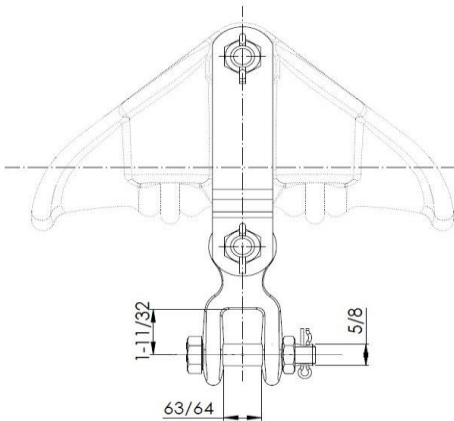


COUNTERWEIGHT ATTACHMENTS



Material: Clevis eye: Forged steel EN-10083 (similar to ASTM A576).  
 Locking pin: Stainless Steel (AISI 304)  
 Platen: Steel plate EN-10025 (similar to ASTM A36 or ASTM A572).  
 Steel partss finish: Hot dip galanising ASTM A153.  
 Bolts: ASTM A325  
 Nuts: ASTM A563

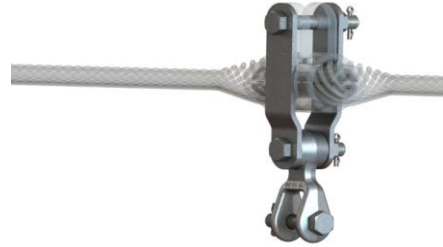
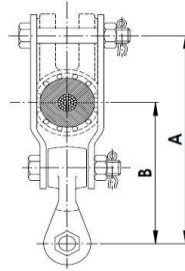
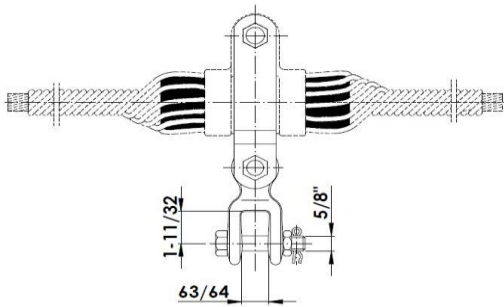
Reference	Clamp	Dimensions (inch)		Weight (lb)
		A	B	
ECP-1/AM	GS-1/AM	7-3/32	5-7/16	4.85
ECP-2/AM	GS-2/AM	7-3/32	5-1/8	4.85



Material: Clevis eye: Forged steel EN-10083 (similar to ASTM A576).  
 Locking pin: Stainless Steel (AISI 304)  
 Platen: Steel plate EN-10025 (similar to ASTM A36 or ASTM A572).  
 Steel partss finish: Hot dip galanising ASTM A153.  
 Bolts: ASTM A325  
 Nuts: ASTM A563

Reference	Clamp	Dimensions (inch)		Weight (lb)
		A	B	
ECP-3/AM	GS-3/AM	8-21/32	6-35/64	5.51
ECP-4/AM	GS-4/AM	8-21/32	6-21/32	5.51
ECP-5/AM	GS-5/AM	8-21/32	6-7/32	5.51
ECP-4-A/AM	GS-4-AE/AM	8-21/32	6-1/16	5.51
ECP-5-A/AM	GS-5-AE/AM	8-21/32	5-29/32	5.51

ECP-6-A/AM	GS-6-AE/AM	8-21/32	5-43/64	5.51
ECP-7-A/AM	GS-7-AE/AM	11-3/16	8-1/32	5.95



<p>Material: Clevis eye: Forged steel EN-10083 (similar to ASTM A576).          Locking pin: Stainless Steel (AISI 304)          Platen: Steel plate EN-10025 (similar to ASTM A36 or ASTM A572).          Steel partss finish: Hot dip galanising ASTM A153.          Bolts: ASTM A325          Nuts: ASTM A563</p>				
Reference	Clamp	Dimensions (inch)		Weight (lb)
		A	B	
ECP-1S/AM	GAS-1/AM	8-21/32	6-26/64	5.51
ECP-3S/AM	GAS-2/AM	8-21/32	6-1/16	5.51
ECP-4S/AM	GAS-3/AM	8-21/32	5-63/64	5.51
ECP-5S/AM	GAS-4/AM	8-21/32	5-29/32	5.95
ECP-6S/AM	GAS-5/AM	8-21/32	5-29/32	5.95
ECP-7S/AM	GAS-6/AM	11-3/16	7-7/8	6.61
ECP-8S/AM	GAS-7/AM	11-3/16	7-7/8	6.61