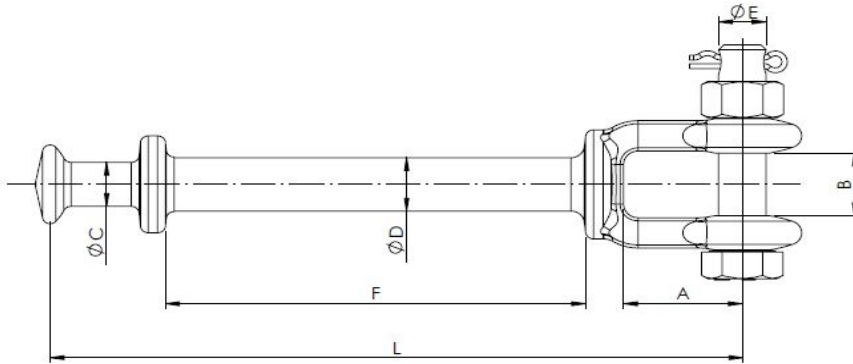




Industrias Arruti

6.9 HOT LINE BALL CLEVIS



<b>Material:</b> Forged steel EN-10083 (Equivalent to ASTM A576).									<b>Locking pin:</b> Stainless steel.	
<b>Steel parts finish:</b> Hot dip galvanising ASTM A153.										
Reference	Standard I.E.C./ANSI	Dimensions (Inch)							Ultimate Strength (lb)	Weight (lb)
		A	B	C	D	E	F	L		
HBP-5-L/AM	ANSI 52-8	1-3/4	1	23/32	7/8	5/8	5-7/8	9-9/16	30,000	2.43
HBP-8-L/AM	ANSI 52-11	1-7/8	1	57/64	7/8	7/8	5-3/8	10-1/16	50,000	3.58

**Note:** Special fasteners upon request.

Bolt: ASTM A325 / Nuts: ASTM A563