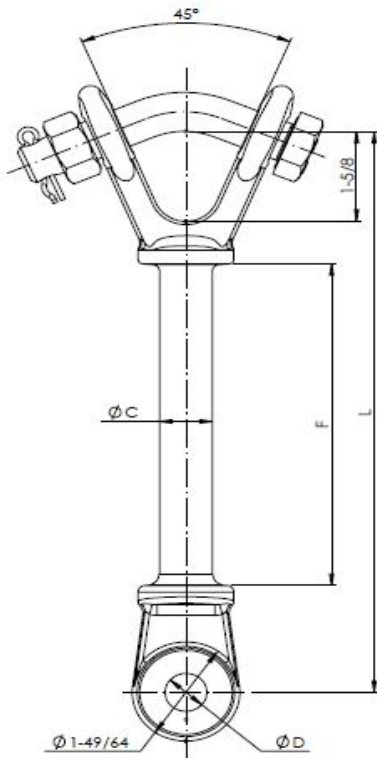


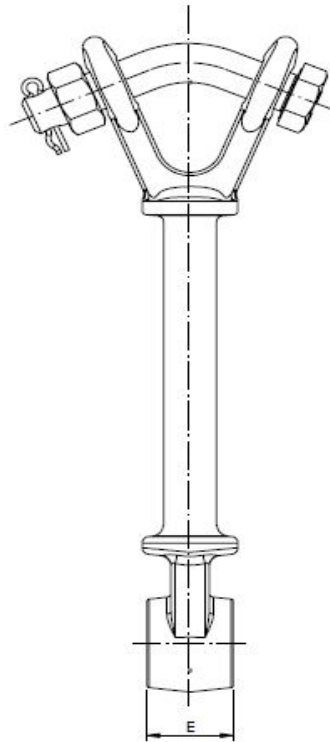


Industrias Arruti

08 HOT LINE Y CLEVIS EYE



HRVE



HVE



**Material:** Forged steel EN-10083 (Equivalent to ASTM A576).

**Locking pin:**Stainless steel.

**Steel parts finish:** Hot dip galvanising ASTM A153.

Reference	Dimensions (Inch)					Ultimate Strength	Weight
	C	D	E	F	L	(lb)	(lb)
HVE-5-L	7/8	11/16	5/8	6-3/8	11	30,000	4.4
HRVE-5-L	7/8	11/16	5/8	6-3/8	11	30,000	4.4

**Note:** Special fasteners upon request.

Bolt: ASTM A325 / Nuts: ASTM A563