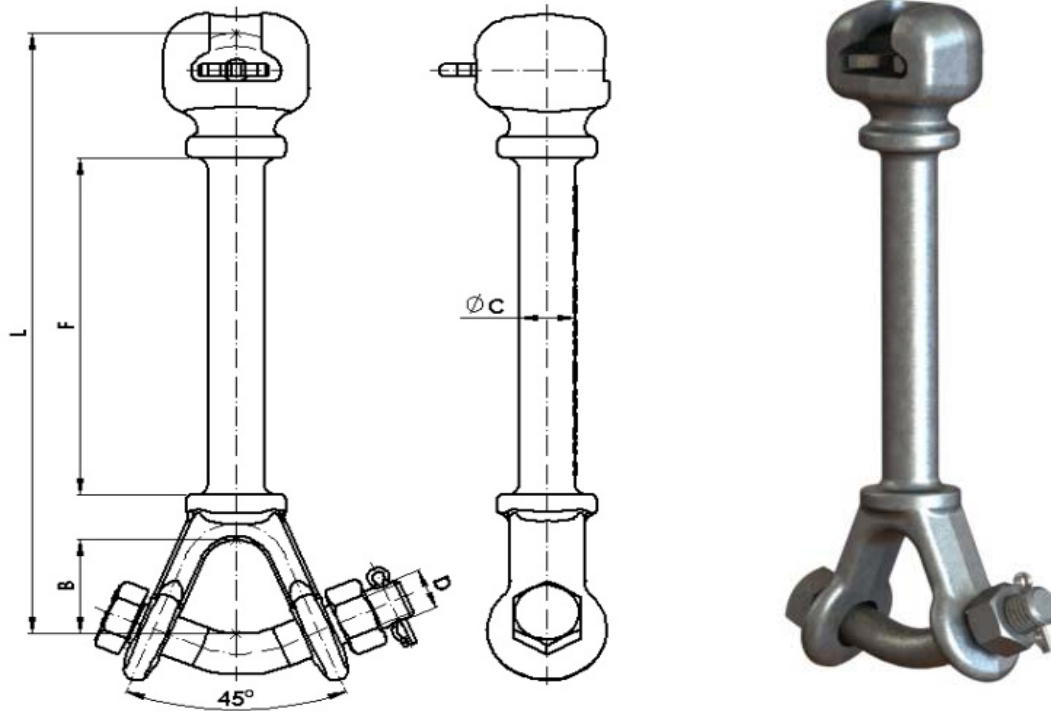




Industrias Arruti

6.5 HOT LINE SOCKET Y CLEVIS



Material: Forged steel EN-10083 (Equivalent to ASTM A576).						Locking pin: Stainless steel.		
Steel parts finish: Hot dip galvanising ASTM A153.								
Reference	Standard I.E.C./ANSI	Dimensions (Inch)					Ultimate Strength (lb)	Weight (lb)
		B	C	D	F	L		
RV-5-L/AM	ANSI 52-5	1-5/8	7/8	3/4	5-7/8	10-3/8	30,000	4.50
RV-8-L/AM	ANSI 52-8	1-5/8	7/8	7/8	5-7/8	10-3/8	50,000	6.40

Note: Special fasteners upon request.
Bolt: ASTM A325 / Nuts: ASTM A563