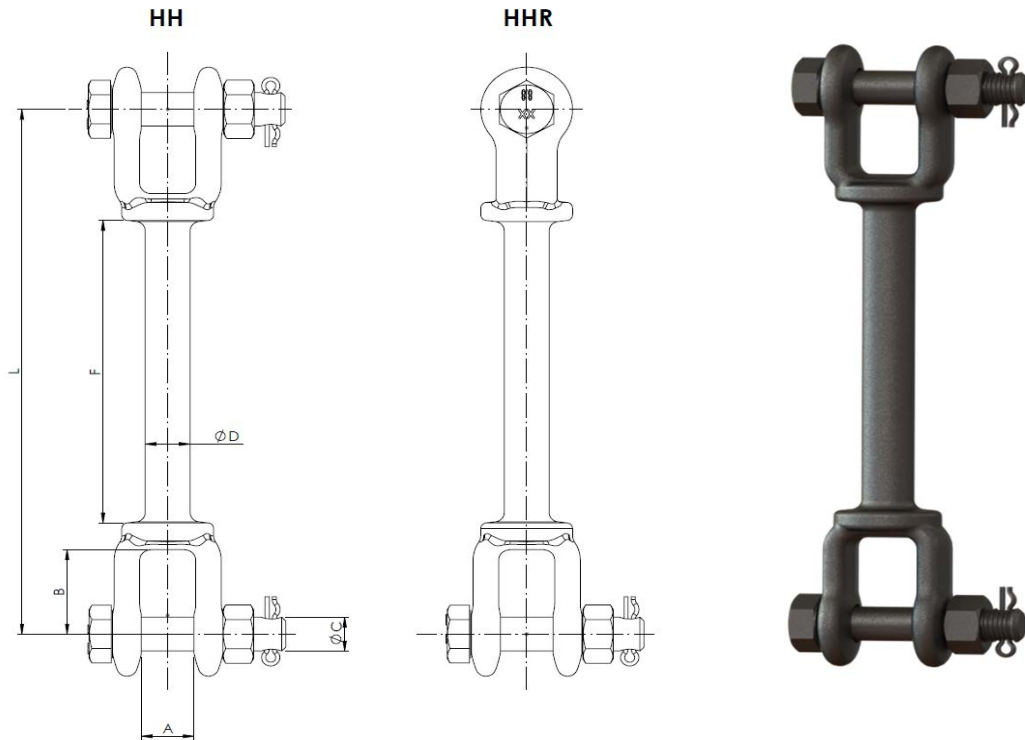




Industrias Arruti

6.4 HOT LINE CLEVIS CLEVIS



Material: Forged steel EN-10083 (Equivalent to ASTM A576). Locking pin: Stainless steel.								
Steel parts finish: Hot dip galvanising ASTM A153.								
Reference	Dimensions (Inch)						Ultimate Strength (lb)	Weight (lb)
	A	B	C	D	F	L		
HH-5-L	1	1-5/8	5/8	7/8	6	10	30,000	3.40
HHR-5-L	1	1-5/8	5/8	7/8	6	10	30,000	3.40

Note: Special fasteners upon request.

Bolt: ASTM A325 / Nuts: ASTM A563