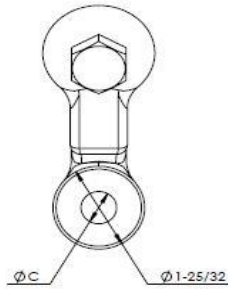
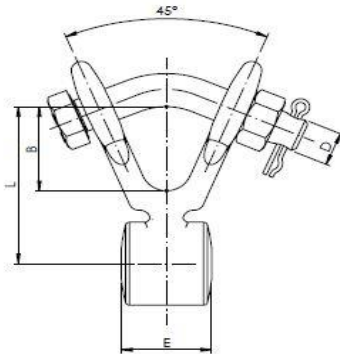




Industrias Arruti

3.3 Y-CLEVIS EYE



Material: Forged steel EN-10083 (equivalent to ASTM A576).		Locking pins: Stainless Steel (AISI 304)					
Steel parts finish: Hot dip galvanising ASTM A153.		Bolt: ASTM A325	Nut: ASTM A563				
Reference	Dimensions Inches					Ultimate Strength (lb)	Weight (lb)
	B	C	D	E	L		
HPV-16/(3/4- ϕ 11/16)	1-3/8	11/16	3/4	3/4	2-13/16	30,000	1.9
HPV-(7/8- ϕ 11/16)	1-3/8	11/16	3/4	7/8	2-13/16	30,000	1,9
HPV-16/(1- ϕ 11/16)	1-3/8	11/16	3/4	1	2-13/16	30,000	1.95
HPV-16/(1-27/64- ϕ 11/16)	1-3/8	11/16	3/4	1-27/64	2-13/16	30,000	2.73

NOTE: Other dimensions "E" and "C" can be manufactured upon request.
Special fasteners upon request.