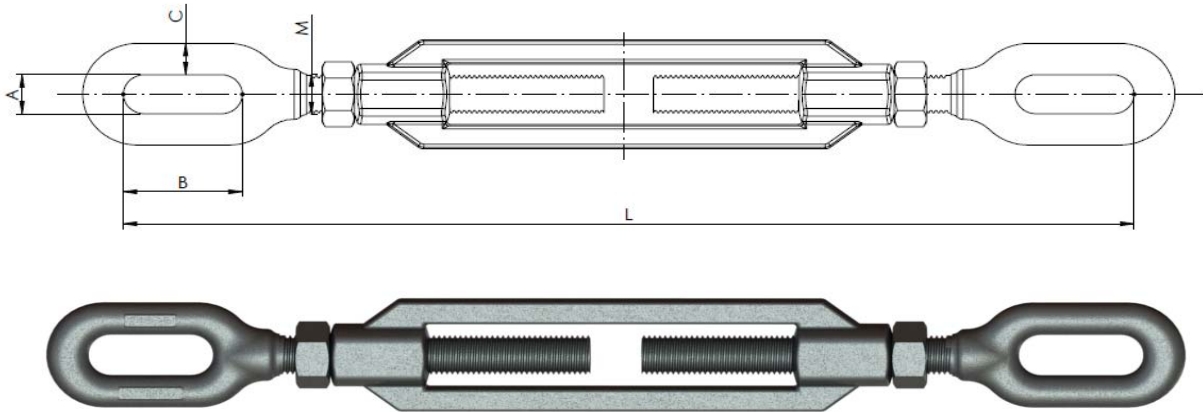




Industrias Arruti

03 TURNBUCKLES EYE-EYE



Material: Steel plate EN-10083 (similar to ASTM A576).
Steel parts finish: Hot dip galvanising ASTM A153.

Reference	Dimensions (Inch)						Ultimate Strength (lb)	Weight (lb)
	A	B	C	M	L			
					Min	Max		
TR-16/AA/AM	63/64	2-3/4	25/32	3/4	18-1/8	26-3/16	28,000	6.33
TR-20/AA/C/AM	63/64	2-3/4	25/32	3/4	18-1/8	26-3/16	36,000	6.41

NOTE: Other dimension "E" can be manufactured upon request.
 Special fasteners upon request.
 Bolt: ASTM A325 / Nuts: ASTM A563