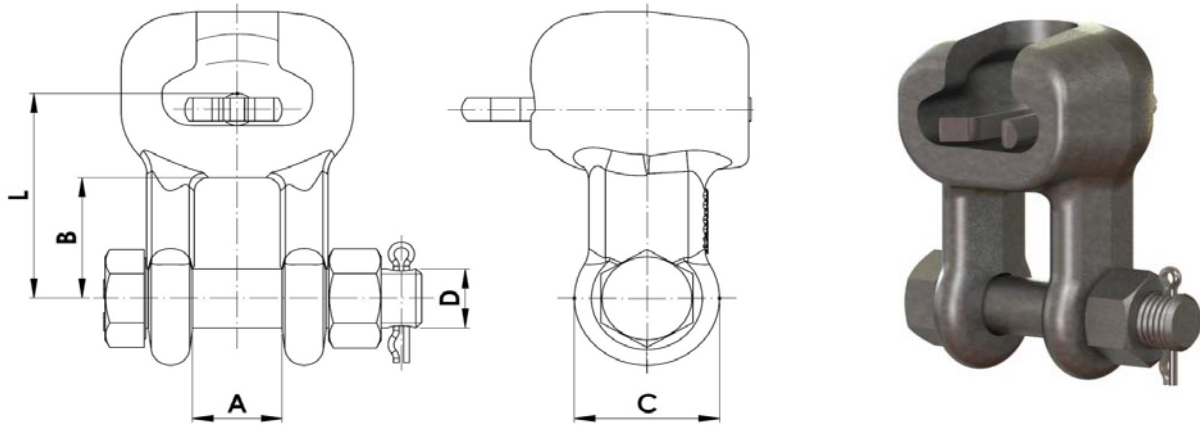




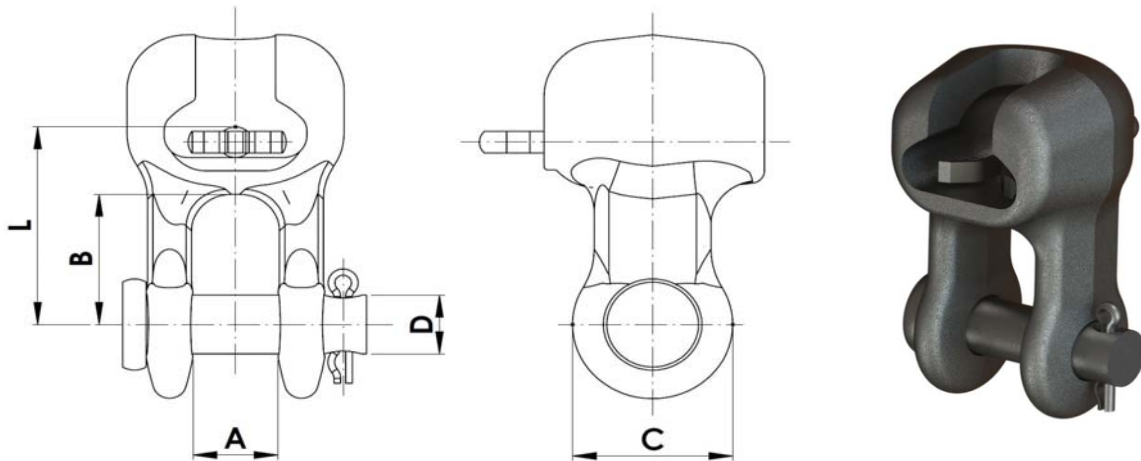
Industrias Arruti

1.3 SOCKET CLEVIS



Material: Forged steel EN-10083 (equivalent to ASTM A576).						Locking pin: Stainless steel. (AISI 304)		
Steel parts finish: Hot dip galvanising ASTM A153.								
Reference	Standard	Dimensions (inch)					Ultimate Strength (lb)	Weight (lb)
		A	B	C	D	L		
RH-5/AM (5/8)	ANSI 52-5	1	1-3/16	Ø1-9/16	5/8	2-1/8	30,000	1.65
RH-8/AM (3/4)	ANSI 52-11	1-1/32	1-11/16	Ø1-7/8	3/4	3-1/16	50,000	3.17

Note: Special fasteners upon request.
Bolt: ASTM A325 / Nut: ASTM A563



Material: Forged steel EN-10083 (equivalent to ASTM A576).						Locking pin: Stainless steel. (AISI 304)		
Steel parts finish: Hot dip galvanising ASTM A153.								
Reference	Standard	Dimensions (inch)					Ultimate Strength (lb)	Weight (lb)
		A	B	C	D	L		
RH-5B/AM	ANSI 52-5	1	1-3/16	Ø1-9/16	5/8	2-1/8	30,000	1.49
RH-8B/AM	ANSI 52-11	1-1/32	1-11/16	Ø1-7/8	3/4	3-1/16	50,000	2.75

Note: Special fasteners upon request.