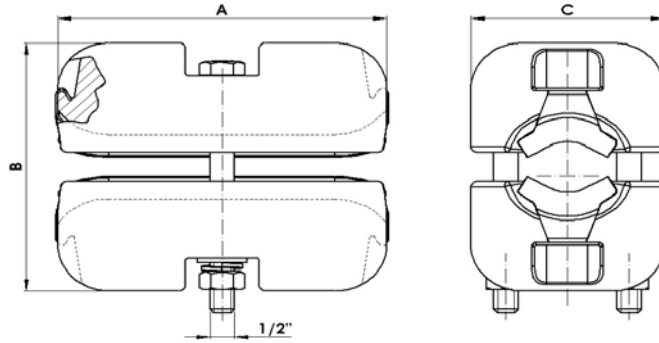




Industrias Arruti

### 03 JUMPER COUNTERWEIGHTS 10



**Material:** Body: Cast iron EN-1563 (similar to ASTM A48).

**Steel parts finish:** Hot dip galvanising ASTM A153.

Reference	Ø Conductor		Dimensions (inch)			Protector Plaque	Tightening Torque (ftlb)	Weight (lb)
	Min.	Max.	A	B	C			
CPC-10/12/AM	5/16	15/32	6-19/64	4-23/32	3-45/64	NO	20	22.05
CPB-10/18/AM	15/32	45/64	6-19/64	4-23/32	3-45/64	NO	20	22.05
CPB-10/26/AM	45/64	1-1/64	6-19/64	4-23/32	3-45/64	NO	20	22.05
CPB-10/32/AM	1-1/64	1-17/64	6-19/64	4-23/32	3-45/64	NO	20	22.05
CPB-10/40/AM	1-17/64	1-37/64	6-19/64	4-23/32	3-45/64	NO	20	22.05
CPC-10/12/P/AM	5/16	15/32	6-19/64	4-23/32	3-45/64	YES	20	22.05
CPB-10/18/P/AM	15/32	45/64	6-19/64	4-23/32	3-45/64	YES	20	22.05
CPB-10/26/P/AM	45/64	1-1/64	6-19/64	4-23/32	3-45/64	YES	20	22.05
CPB-10/32/P/AM	1-1/64	1-17/64	6-19/64	4-23/32	3-45/64	YES	20	22.05
CPB-10/40/P/AM	1-17/64	1-37/64	6-19/64	4-23/32	3-45/64	YES	20	22.05

**NOTE:** Special fasteners upon request.

**Bolt:** ASTM A325. / **Nuts:** ASTM A563.