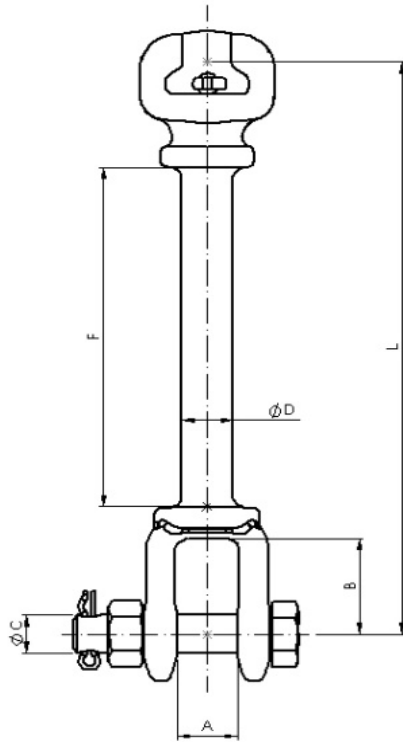




Industrias Arruti

6.3 HOT LINE SOCKET CLEVIS



Material: Forged steel EN-10083 (similar to ASTM A576). Locking pin: Stainless steel. Steel parts finish: Hot dip galvanising ASTM A153.								
Reference	Dimensions (Inch)						Ultimate Strength	Weight
	A	B	C	D	F	L	(lb)	(lb)
RH-5-L/AM	1	1-1/2	5/8	7/8	5-7/8	10	30,000	3,62

Note: Special fasteners upon request.

Bolt: ASTM A325 / Nuts: ASTM A563