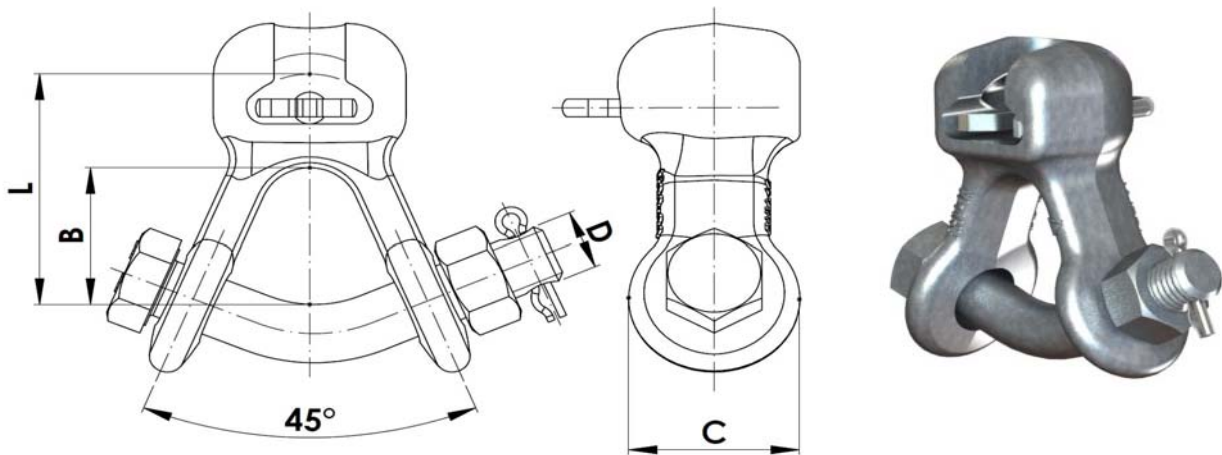




Industrias Arruti

1.2 SOCKET Y-CLEVIS



<b>Material:</b> Forged steel EN-10083 (equivalent to ASTM A576).						<b>Locking pins:</b> Stainless steel. (AISI 304)	
<b>Steel parts finish:</b> Hot dip galvanising ASTM A153.							
Reference	Standard	Dimensions (inch)				Ultimate Strength (lb)	Weight (lb)
		B	C	D	L		
<b>RHV-5/AM (3/4)</b>	ANSI 52-5	1-5/8	Ø1-7/8	3/4	2-3/4	30,000	2.63
<b>RHV-8/AM (7/8)</b>	ANSI 52-11	1-5/8	Ø2-3/16	7/8	2-7/8	50,000	5.00

NOTE: Special fasteners upon request.  
Bolt: ASTM A325 / Nut: ASTM 563