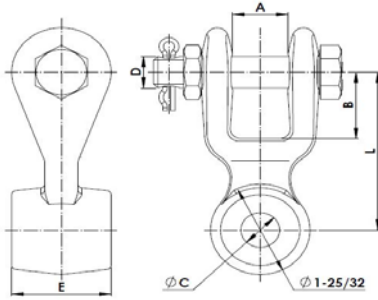




Industrias Arruti

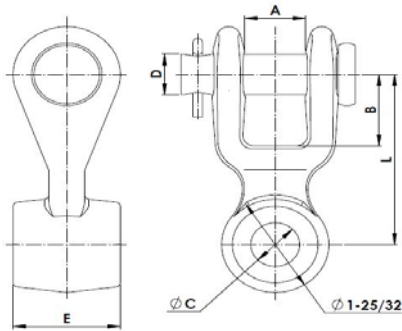
3.2 CLEVIS EYE ROTATE



Material: Forged steel EN-10083 (equivalent to ASTM A576). **Locking pin:** Stainless steel.
Steel parts finish: Hot dip galvanising ASTM A153.

Reference	Dimensions (inch)						Ultimate Strength (lb)	Weight (lb)
	A	B	C	D	E	L		
HR-16/(5/8-Ø11/16)	63/64	1-11/32	11/16	5/8	5/8	3-5/32	30000	1.61
HR-16/(53/64-Ø11/16)	63/64	1-11/32	11/16	5/8	53/64	3-5/32	30000	1.7
HR-16/(1-Ø11/16)	63/64	1-11/32	11/16	5/8	1	3-5/32	30000	1.79
HR-16/(1-27/64-Ø11/16)	63/64	1-11/32	11/16	5/8	1-27/64	3-5/32	30000	1.98
HR-16/(1-3/4-Ø11/16)	63/34	1-11/32	11/16	5/8	1-3/4	3-5/32	30000	2.14
HR-20/(5/8-Ø13/16)	63/64	1-11/32	13/16	3/4	5/8	3-5/32	40000	1.76
HR-20/(53/64-Ø13/16)	63/64	1-11/32	13/16	3/4	53/64	3-5/32	40000	1.85
HR-20/(1-Ø13/16)	63/64	1-11/32	13/16	3/4	1	3-5/32	40000	1.94
HR-20/(1-27/64-Ø13/16)	63/64	1-11/32	13/16	3/4	1-27/64	3-5/32	40000	2.12
HR-20/(1-3/4-Ø13/16)	63/64	1-11/32	13/16	3/4	1-3/4	3-5/32	40000	2.27
HR-24/(53/64-Ø13/16)	1-3/16	1-49/64	13/16	7/8	53/64	3-15/16	54000	3.28
HR-24/(1-Ø13/16)	1-3/16	1-49/64	13/16	7/8	1	3-15/16	54000	3.4
HR-24/(1-27/64-Ø13/16)	1-3/16	1-49/64	13/16	7/8	1-27/64	3-15/16	54000	3.59
HR-24/(1-3/4-Ø13/16)	1-3/16	1-49/64	13/16	7/8	1-3/4	3-15/16	54000	3.77
HR-24/(2-1/8-Ø13/16)	1-3/16	1-49/64	13/16	7/8	2-1/8	3-15/16	54000	3.95
HR-24-30/(53/64-Ø13/16)	1-3/16	1-49/64	13/16	1	53/64	3-15/16	68000	3.51

NOTE: Other dimensions "E" and "C" can be manufactured upon request.
 Special fasteners upon request.
 Bolt: ASTM A325 / Nut: ASTM A563



Material: Forged steel EN-10083 (equivalent to ASTM A576). **Locking pin:** Stainless steel.
Steel parts finish: Hot dip galvanising ASTM A153.

Reference	Dimensions (inch)						Ultimate Strength (lb)	Weight (lb)
	A	B	C	D	E	L		
HRB-16/(5/8-Ø11/16)	63/64	1-11/32	11/16	5/8	5/8	3-5/32	30000	1.47
HRB-16/(53/64-Ø11/16)	63/64	1-11/32	11/16	5/8	53/64	3-5/32	30000	1.56
HRB-16/(1-Ø11/16)	63/64	1-11/32	11/16	5/8	1	3-5/32	30000	1.65
HRB-16/(1-27/64-Ø11/16)	63/64	1-11/32	11/16	5/8	1-27/64	3-5/32	30000	1.84
HRB-16/(1-3/4-Ø11/16)	63/64	1-11/32	11/16	5/8	1-3/4	3-5/32	30000	2.00
HRB-20/(5/8-Ø13/16)	63/64	1-11/32	13/16	3/4	5/8	3-5/32	40000	1.60
HRB-20/(53/64-Ø13/16)	63/64	1-11/32	13/16	3/4	53/64	3-5/32	40000	1.69
HRB-20/(1-Ø13/16)	63/64	1-11/32	13/16	3/4	1	3-5/32	40000	1.78
HRB-20/(1-27/64-Ø13/16)	63/64	1-11/32	13/16	3/4	1-27/64	3-5/32	40000	1.96
HRB-20/(1-3/4-Ø13/16)	63/64	1-11/32	13/16	3/4	1-3/4	3-5/32	40000	2.11
HRB-24/(53/64-Ø13/16)	1-3/16	1-49/64	13/16	7/8	53/64	3-15/16	54000	3.28
HRB-24/(1-Ø13/16)	1-3/16	1-49/64	13/16	7/8	1	3-15/16	54000	3.4
HRB-24/(1-27/64-Ø13/16)	1-3/16	1-49/64	13/16	7/8	1-27/64	3-15/16	54000	3.59
HRB-24/(1-3/4-Ø13/16)	1-3/16	1-49/64	13/16	7/8	1-3/4	3-15/16	54000	3.77
HRB-24/(2-1/8-Ø13/16)	1-3/16	1-49/64	13/16	7/8	2-1/8	3-15/16	54000	3.95
HRB-24-30/(53/64-Ø13/16)	1-3/16	1-49/64	13/16	1	53/64	3-15/16	68000	3.51

NOTE: Other dimensions "E" and "C" can be manufactured upon request.
 Special fasteners upon request.