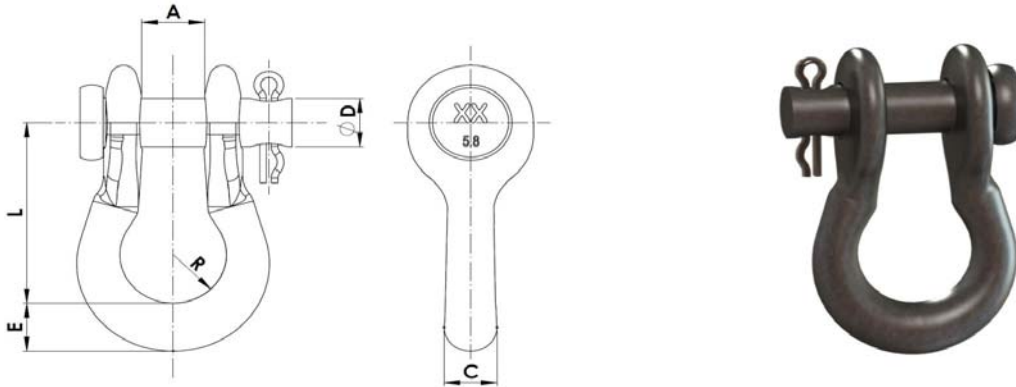




Industrias Arruti

4.2 ANCHOR SHACKLES



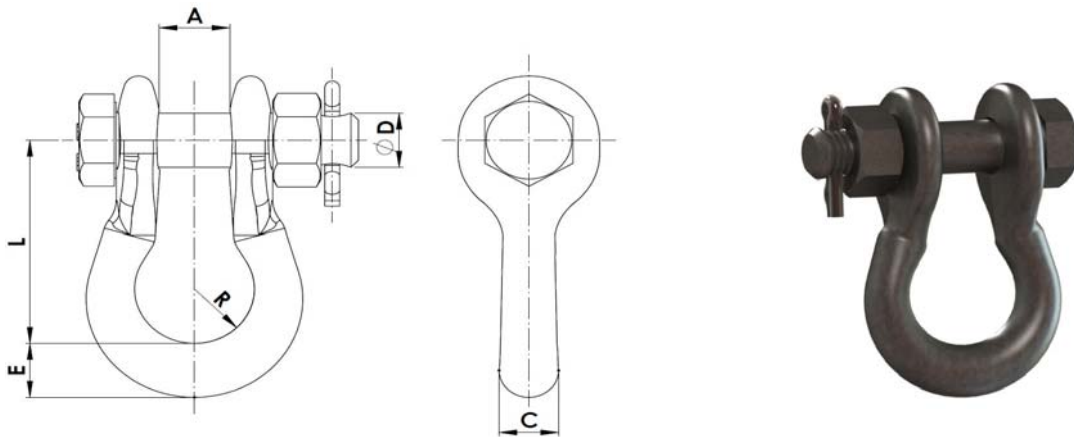
Material: Forged steel EN-10083 (Equivalent to ASTM A576).

Rivets: Galvanized steel

Steel parts finish: Hot dip galvanising ASTM A153.

Reference	Dimensions (Inch)						Ultimate Strength (lb)	Weight (lb)
	A	C	D	R	E	L		
GN-16-B/AM	7/8	1/2	5/8	11/16	5/8	2-25/32	30,000	1
GN-16-BC/AM	7/8	1/2	5/8	11/16	5/8	2-3/8	30,000	0.74

NOTE: Special fasteners upon request.



Material: Forged steel EN-10083 (similar to ASTM A576).

Locking pins: Stainless Steel (AISI 304)

Steel parts finish: Hot dip galvanising ASTM A153.

Bolt: ASTM A325

Nuts: ASTM A563

Reference	Dimensions (Inch)						Ultimate Strength (lb)	Weight (lb)
	A	C	D	R	E	L		
GN-16-BTC/AM	7/8	1/2	5/8	11/16	5/8	2-3/8	30,000	0.86
GN-16-BTA/AM	7/8	1/2	5/8	11/16	5/8	2-25/32	30,000	1.01
GN-20-BTC/AM	1-1/16	5/8	3/4	3/4	11/16	2-25/32	40,000	1.60
GN-30-BT/AM	7/8	3/4	3/4	3/4	7/8	3-1/2	60,000	2.40
GN-30-BWT-7/8-AM	1-1/4	3/4	7/8	1	7/8	3-1/2	60,000	2.70
GN-60-BT/AM	1-1/2	1	1-1/8	1-1/16	1	6	120,000	6.20

NOTE: Special fasteners upon request.