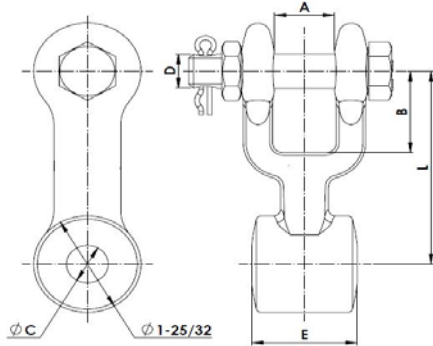




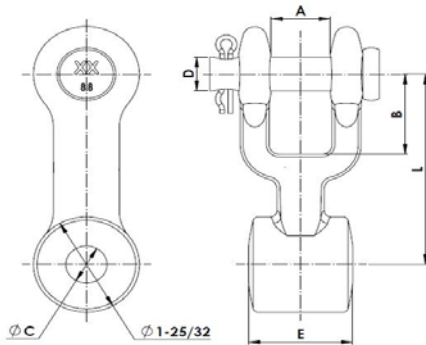
Industrias Arruti

3.1 CLEVIS EYE



Reference	Dimensions (inch)						Ultimate Strength (lb)	Weight (lb)
	A	B	C	D	E	L		
HP-16/(5/8-Ø11/16)	63/64	1-1/2	11/16	5/8	5/8	3-35/64	30000	1.76
HP-16/(5/8-Ø7/8)	63/64	1-1/2	7/8	5/8	5/8	3-35/64	30000	1.70
HP-16/(53/64-Ø11/16)	63/64	1-1/2	11/16	5/8	53/64	3-35/64	30000	1.90
HP-16/(1-Ø11/16)	63/64	1-1/2	11/16	5/8	1	3-35/64	30000	2.01
HP-16/(1-27/64-Ø11/16)	63/64	1-1/2	11/16	5/8	1-27/64	3-35/64	30000	2.25
HP-16/(1-3/4-Ø11/16)	63/64	1-1/2	11/16	5/8	1-3/4	3-35/64	30000	2.38
HP-20/(5/8-Ø13/16)	63/64	1-1/2	13/16	3/4	5/8	3-35/64	40000	1.94
HP-20/(53/64-Ø13/16)	63/64	1-1/2	13/16	3/4	53/64	3-35/64	40000	2.05
HP-20/(1-Ø13/16)	63/64	1-1/2	13/16	3/4	1	3-35/64	40000	2.16
HP-20/(1-27/64-Ø13/16)	63/64	1-1/2	13/16	3/4	1-27/64	3-35/64	40000	2.38
HP-20/(1-3/4-Ø13/16)	63/64	1-1/2	13/16	3/4	1-3/4	3-35/64	40000	2.51

NOTE: Other dimension "E" and "C" can be manufactured upon request.
 Bolt: ASTM A325 / Nuts: ASTM A563
 Special fasteners upon request.



Reference	Dimensions (inch)						Ultimate Strength (lb)	Weight (lb)
	A	B	C	D	E	L		
HP-16B/(5/8-Ø11/16)	63/64	1-1/2	11/16	5/8	5/8	3-35/64	30000	1.49
HP-16B/(5/8-Ø7/8)	63/64	1-1/2	7/8	5/8	5/8	3-35/64	30000	1.70
HP-16B/(53/64-Ø11/16)	63/64	1-1/2	11/16	5/8	53/64	3-35/64	30000	1.63
HP-16B/(1-Ø11/16)	63/64	1-1/2	11/16	5/8	1	3-35/64	30000	1.73
HP-16B/(1-27/64-Ø11/16)	63/64	1-1/2	11/16	5/8	1-27/64	3-35/64	30000	1.98
HP-16B/(1-3/4-Ø11/16)	63/64	1-1/2	11/16	5/8	1-25/32	3-35/64	30000	2.11
HP-20B/(5/8-Ø13/16)	63/64	1-1/2	13/16	3/4	5/8	3-35/64	40000	1.67
HP-20B/(53/64-Ø13/16)	63/64	1-1/2	13/16	3/4	53/64	3-35/64	40000	1.69
HP-20B/(1-Ø13/16)	63/64	1-1/2	13/16	3/4	1	3-35/64	40000	1.89
HP-20B/(1-27/64-Ø13/16)	63/64	1-1/2	13/16	3/4	1-27/64	3-35/64	40000	2.11
HP-20B/(1-3/4-Ø13/16)	63/64	1-1/2	13/16	3/4	1-25/32	3-35/64	40000	2.24

NOTE: Other dimension "E" and "C" can be manufactured upon request.
 Special fasteners upon request.