

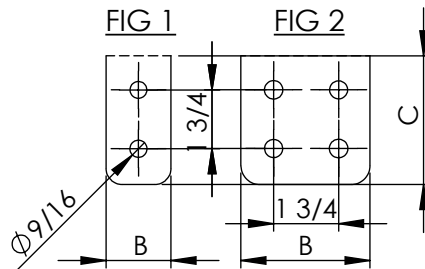
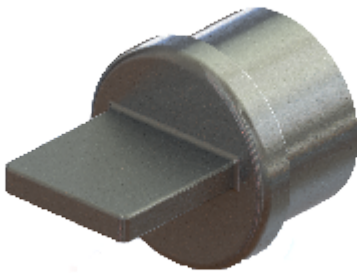


Aluminum alloy welded terminal terminal for connecting aluminum tube to flat pad.

REFERENCE
SOLRBPE

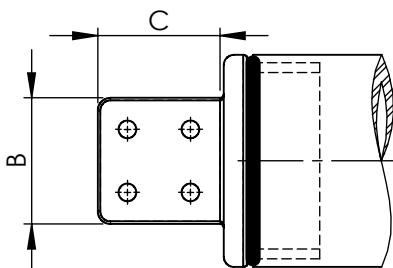
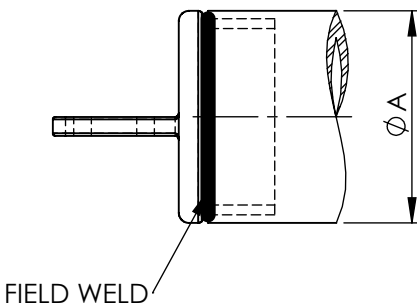
Confirm the thickness of the terminal, in which the connector will be installed, in order to include complementary hardware.

Material: Casting - Aluminum Alloy



Notes:

- Other flat dimensions & hole patterns available.
Example: SOLRBPE-1016N
- For hardware shield add suffix "TAP-XN" to catalog number.
Example: SOLRBPE-1014N/TAP-4N
- For SCH 80 add suffix "SCH80" to the catalog number.
Example: SOLRBPE-1014N/SCH80



CATALOG NUMBER	FIG.	CONDUCTOR SIZE	DIMENSIONS	
		A	B	C
SOLRBPE-602N	1	2	2	3
SOLRBPE-603N	2		3	3
SOLRBPE-604N	2		4	4
SOLRBPE-732N	1	2-1/2	2	3
SOLRBPE-733N	2		3	3
SOLRBPE-734N	2		4	4
SOLRBPE-892N	1	3	2	3
SOLRBPE-893N	2		3	3
SOLRBPE-894N	2		4	4
SOLRBPE-1013N	2	3-1/2	3	3
SOLRBPE-1014N			4	4
SOLRBPE-1143N	2	4	3	3
SOLRBPE-1144N			4	4
SOLRBPE-1413N	2	5	3	3
SOLRBPE-1414N			4	4
SOLRBPE-1683N	2	6	3	3
SOLRBPE-1684N			4	4