

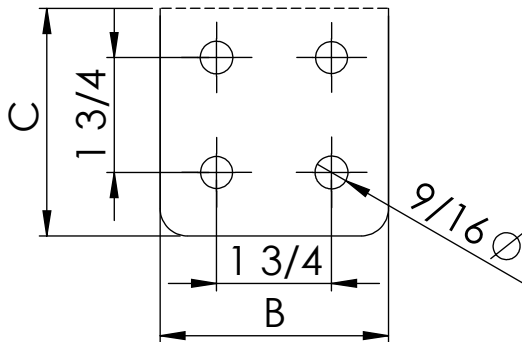
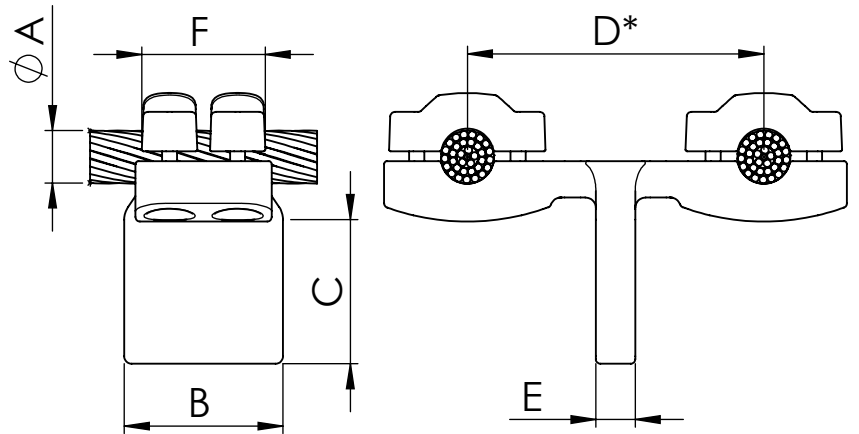
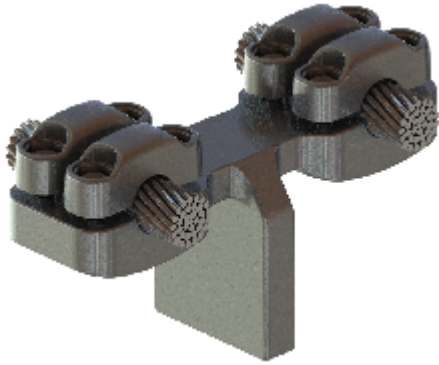


REFERENCE
MLDPI

90° connector for duplex cable to flatbar.

**Material:** Casting - Aluminum Alloy

**Hardware:** Stainless or Galvanized Steel



D*	
1	4"
15	6"
2	8"
3	12"
33	13"
4	16"
45	18"

Note: \*other flat dimensions & hole patterns available\*

CATALOG NUMBER	CONDUCTOR RANGE (A)		DIMENSIONS					Tightening torque (ft.lb)
	Min.	Max.	B	C	D*	E	F	
MLDPI.*-223N	0.79	0.91	3	3		0.59	3.35	20
MLDPI.*-224N	0.79	0.91	4	4		0.59	3.35	20
MLDPI.*-253N	0.94	1.02	3	3		0.59	3.35	20
MLDPI.*-254N	0.94	1.02	4	4		0.59	3.35	20
MLDPI.*-303N	1.06	1.18	3	3		0.59	3.35	20
MLDPI.*-304N	1.06	1.18	4	4		0.59	3.35	20
MLDPI.*-323N	1.22	1.26	3	3		0.59	3.54	40
MLDPI.*-324N	1.22	1.26	4	4		0.59	3.54	40
MLDPI.*-353N	1.30	1.38	3	3		0.59	3.54	40
MLDPI.*-354N	1.30	1.38	4	4		0.59	3.54	40
MLDPI.*-383N	1.42	1.54	3	3		0.59	3.54	40
MLDPI.*-384N	1.42	1.54	4	4		0.59	3.54	40
MLDPI.*-433N	1.57	1.69	3	3		0.59	3.54	40
MLDPI.*-434N	1.57	1.69	4	4		0.59	3.54	40