

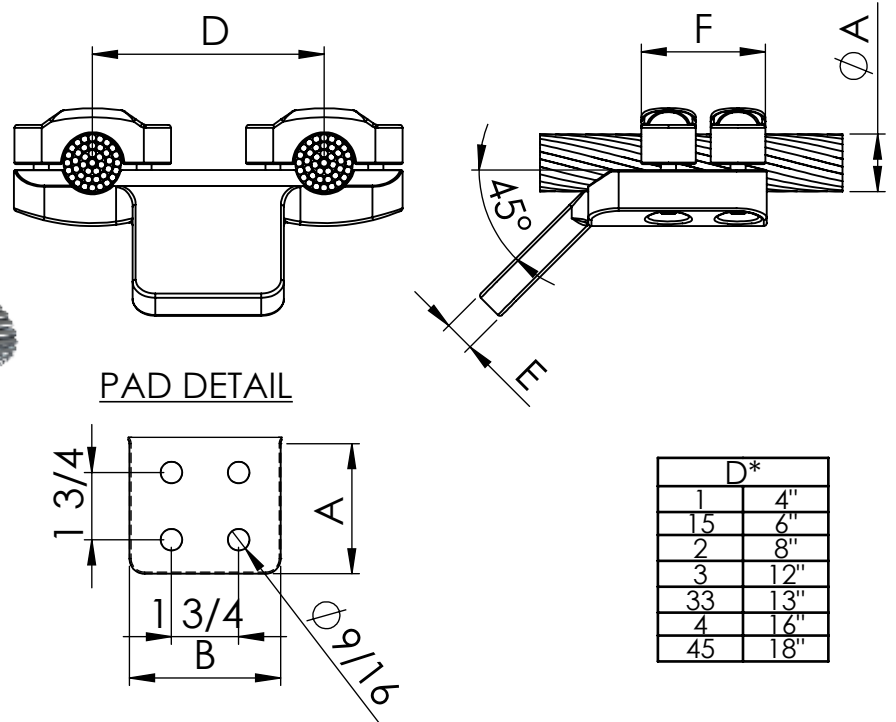
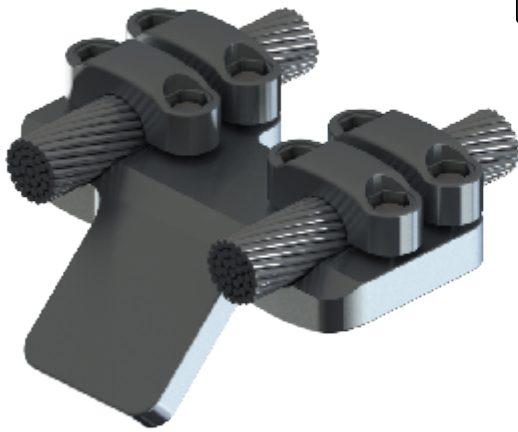


REFERENCE
MLDP45

45° connector for duplex cable to flatbar.

**Material:** Casting - Aluminum Alloy

**Hardware:** Stainless or Galvanized Steel



NOTE: \*other flat dimensions available\*

CATALOG NUMBER	CONDUCTOR RANGE (A)		DIMENSIONS					Tightening torque (ft.lb)
	Min.	Max.	B	C	D*	E	F	
MLDP45.*-223N	0.79	0.91	3	3		0.59	3.35	20
MLDP45.*-224N	0.79	0.91	4	4		0.59	3.35	20
MLDP45.*-253N	0.94	1.02	3	3		0.59	3.35	20
MLDP45.*-254N	0.94	1.02	4	4		0.59	3.35	20
MLDP45.*-303N	1.06	1.18	3	3		0.59	3.35	20
MLDP45.*-304N	1.06	1.18	4	4		0.59	3.35	20
MLDP45.*-323N	1.22	1.26	3	3		0.59	3.54	40
MLDP45.*-324N	1.22	1.26	4	4		0.59	3.54	40
MLDP45.*-353N	1.30	1.38	3	3		0.59	3.54	40
MLDP45.*-354N	1.30	1.38	4	4		0.59	3.54	40
MLDP45.*-383N	1.42	1.54	3	3		0.59	3.54	40
MLDP45.*-384N	1.42	1.54	4	4		0.59	3.54	40
MLDP45.*-433N	1.57	1.69	3	3		0.59	3.54	40
MLDP45.*-434N	1.57	1.69	4	4		0.59	3.54	40