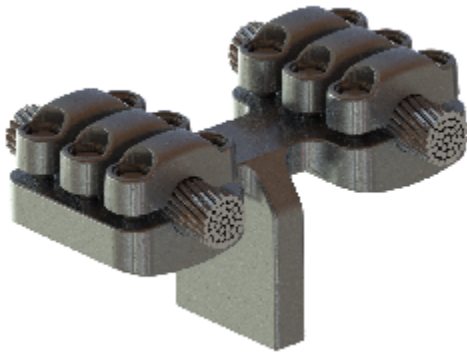




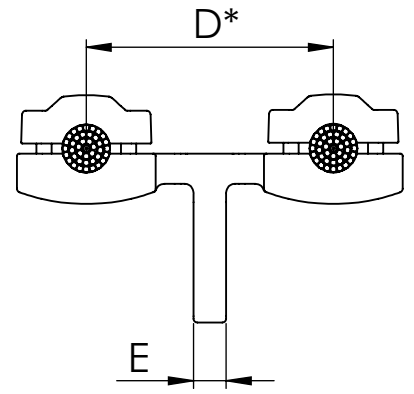
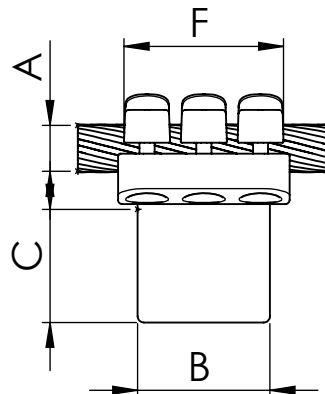
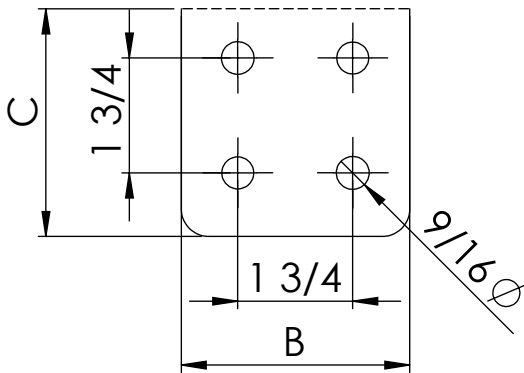
REFERENCE
MLD3PI

90° connector duplex cable to flatbar.

Material: Casting - Aluminum Alloy
Hardware: Stainless or Galvanized Steel



D*	
1	4"
15	6"
2	8"
3	12"
33	13"
4	16"
45	18"



NOTE: *other flat dimensions & hole patterns available*

CATALOG NUMBER	CONDUCTOR RANGE (A)		DIMENSIONS					Tightening torque (ft.lb)
	Min.	Max.	B	C	D*	E	F	
MLD3PI.*-303N	1.06	1.18	3	3		0.59	5.12	40
MLD3PI.*-304N	1.06	1.18	4	4		0.59	5.12	40
MLD3PI.*-323N	1.22	1.26	3	3		0.59	5.12	40
MLD3PI.*-324N	1.22	1.26	4	4		0.59	5.12	40
MLD3PI.*-353N	1.30	1.38	3	3		0.59	5.12	40
MLD3PI.*-354N	1.30	1.38	4	4		0.59	5.12	40
MLD3PI.*-383N	1.42	1.54	3	3		0.59	5.12	40
MLD3PI.*-384N	1.42	1.54	4	4		0.59	5.12	40
MLD3PI.*-433N	1.57	1.69	3	3		0.59	5.12	40
MLD3PI.*-434N	1.57	1.69	4	4		0.59	5.12	40