

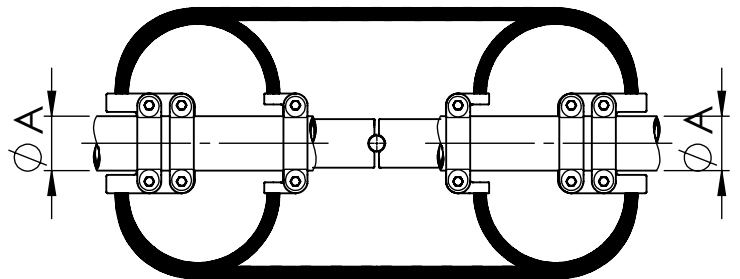
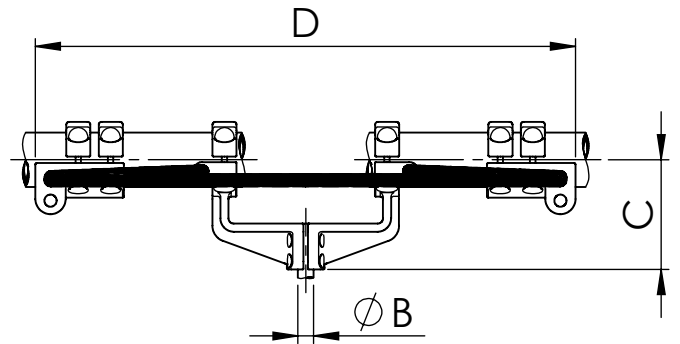
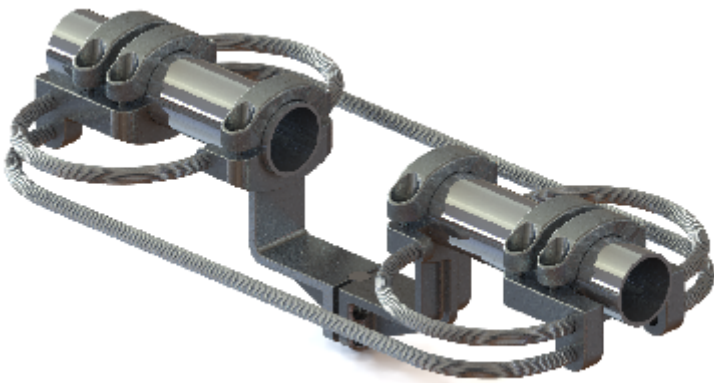


REFERENCE
MFDB2B

Expansion connector for tube to stud.

**Material:** Casting - Aluminum Alloy

**Hardware:** Stainless or Galvanized Steel



CATALOG NUMBER	CONDUCTOR SIZE		DIMENSIONS		Tightening torque (ft.lb)
	A	B	C	D	
MFDB2B-10133	3 1/2	1	10.63	44.69	40
MFDB2B-10142	3 1/2	1 1/4	10.63	44.88	40