

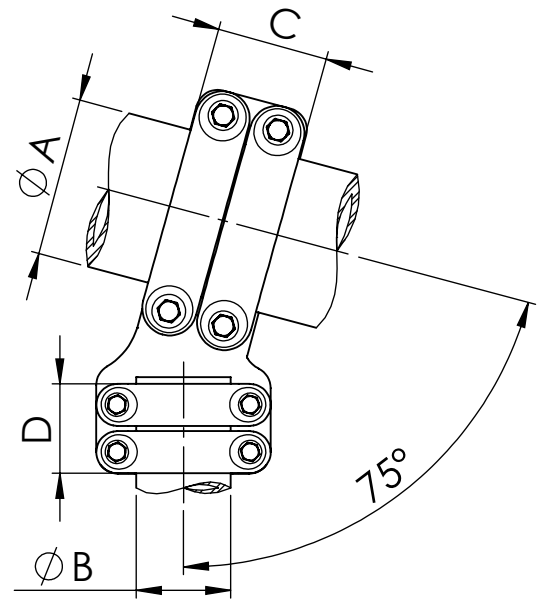
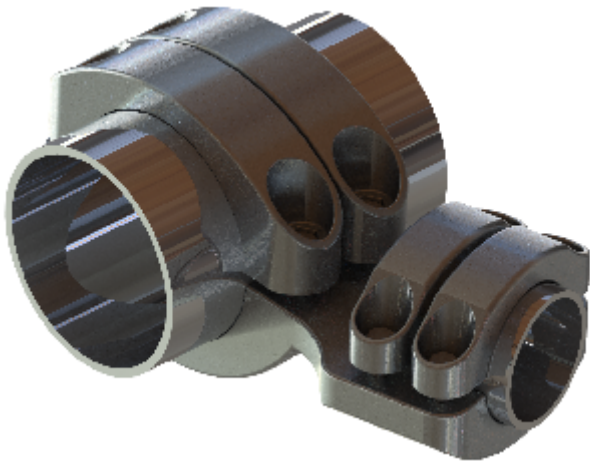


REFERENCE
MDBB75

Angle T for connecting tube to tube at 75°.

Material: Casting - Aluminum Alloy

Hardware: Stainless or Galvanized Steel



NOTE: *specify another angles*

CATALOG NUMBER	DIMENSIONS				Tightening torque (ft.lb)	
	A	B	C	D	A	B
MDBB75-10173	3 1/2	2 1/2	3.94	3.94	40	40
MDBB75-101101	3 1/2	3 1/2	3.94	3.94	55	40
MDBB75-11473	4	2 1/2	4.33	3.94	55	40
MDBB75-114101	4	3 1/2	4.33	3.94	55	40
MDBB75-114114	4	4	4.33	4.33	55	55
MDBB75-141101	5	3 1/2	4.72	3.94	55	40
MDBB75-141114	5	4	4.72	4.33	55	55
MDBB75-141141	5	5	4.72	4.72	55	55