



REFERENCE
RBPE

Straight connector for copper tube to flatbar to axis.

**Material:** Casting - Bronze

**Hardware:** Stainless or Galvanized Steel

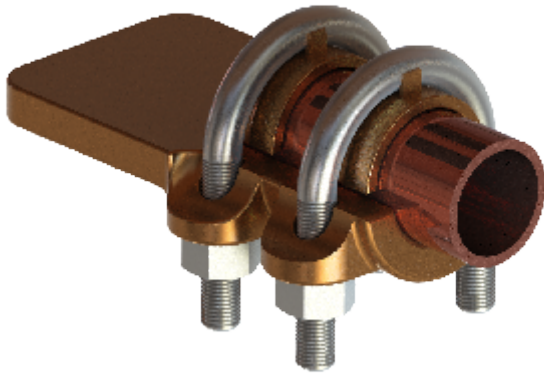


FIG. 1

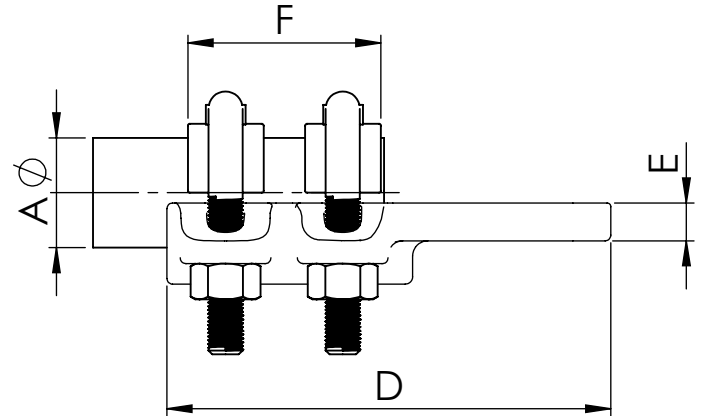
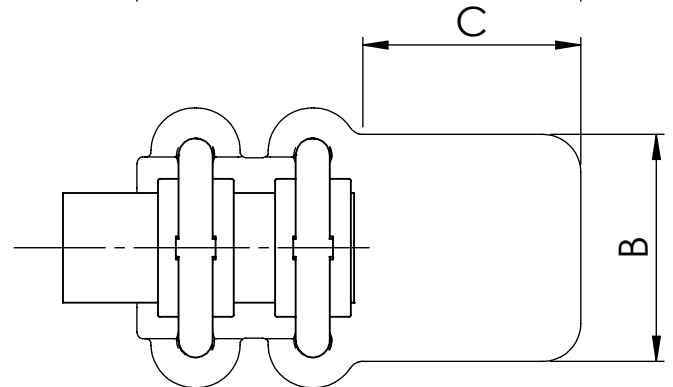
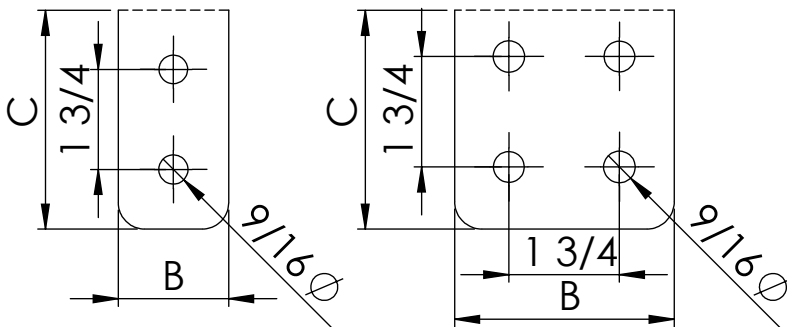


FIG. 2



Note: \*other flat dimensions & hole patterns available\*

CATALOG NUMBER	FIG NO.	CONDUCTOR RANGE (A)		DIMENSIONS					Tightening torque (ft.lb)
		Min.	Max.	B	C	D	E	INT	
RBPE-332N	1	1	2	3	6.69	0.39	2.44	900	20
RBPE-333N	2	1	3	3	6.69	0.39	2.44	900	20
RBPE-334N	2	1	4	4	7.48	0.39	2.44	900	20
RBPE-422N	1	1 1/4	2	3	6.50	0.47	2.64	1000	20
RBPE-423N	2	1 1/4	3	3	6.50	0.47	2.64	1000	20
RBPE-424N	2	1 1/4	4	4	7.28	0.47	2.64	1000	20
RBPE-482N	1	1 1/2	2	3	6.89	0.47	2.95	1250	20
RBPE-483N	2	1 1/2	3	3	6.89	0.47	2.95	1250	20
RBPE-484N	2	1 1/2	4	4	7.68	0.47	2.95	1250	20
RBPE-603N	2	2	3	3	7.48	0.47	3.15	1250	20
RBPE-604N	2	2	4	4	8.27	0.51	3.15	1250	20