



REFERENCE
MRBPE

Aluminum terminal for aluminum tube to flatbar.

Material: Casting - Aluminum Alloy

Hardware: Stainless or Galvanized Steel

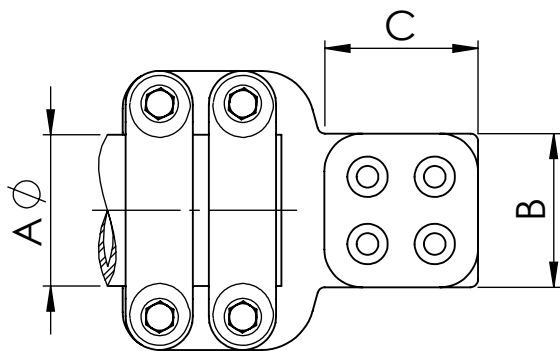
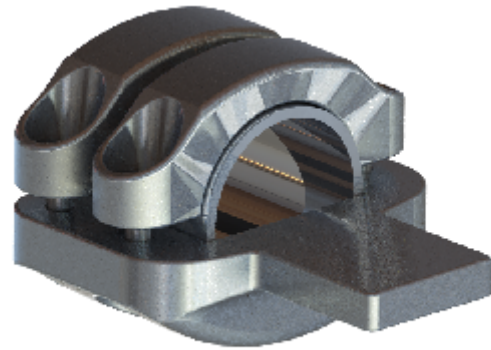
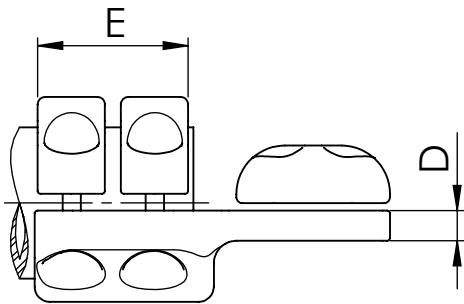
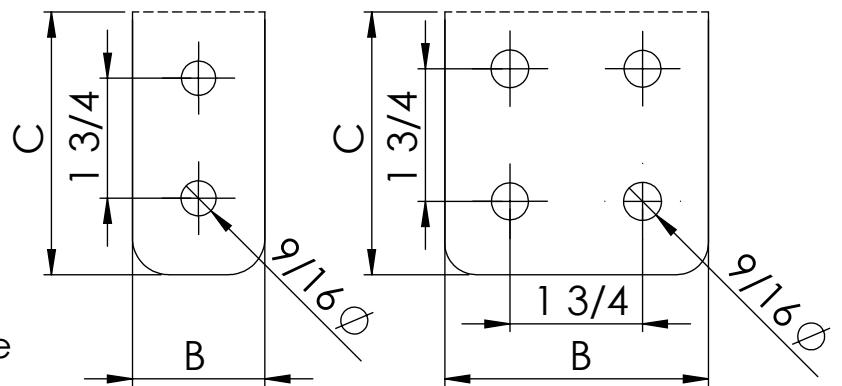


FIG. 1

FIG. 2



NOTE: *other flat dimensions & hole patterns available*

Add "-/TAP" to include hardware shield

CATALOG NUMBER	CONDUCTOR SIZE	DIMENSIONS				Tightening torque (ft.lb)
	A	B	C	D	E	
MRBPE-1013N	3 1/2	3	3	0.79	3.94	40
MRBPE-1014N	3 1/2	4	4	0.79	3.94	40
MRBPE-1143N	4	3	3	0.79	4.33	55
MRBPE-1144N	4	4	4	0.79	4.33	55
MRBPE-1414N	5	4	4	0.79	4.72	55
MRBPE-1684N	6	4	4	0.79	4.72	55