

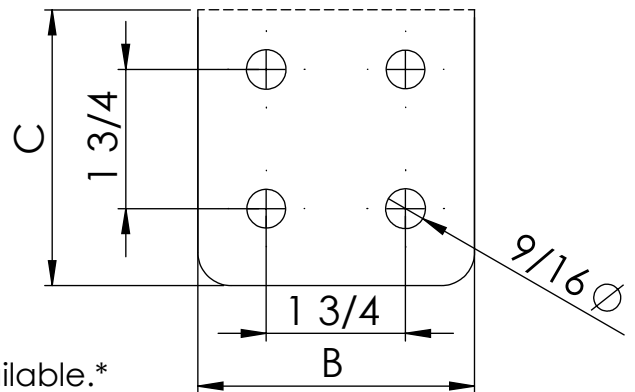
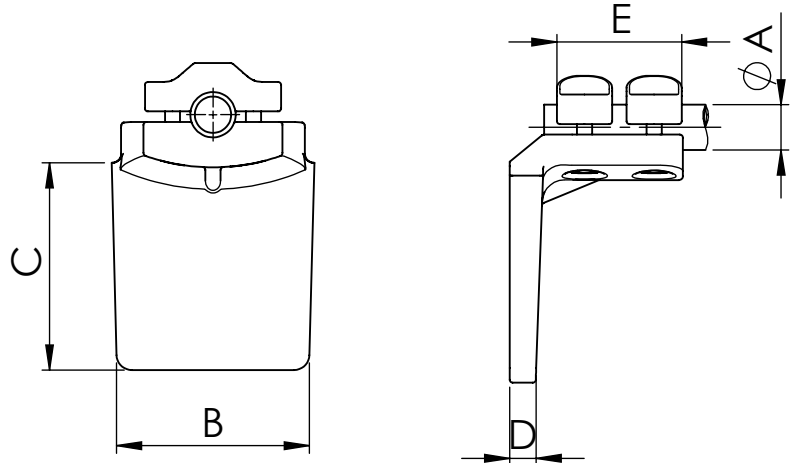
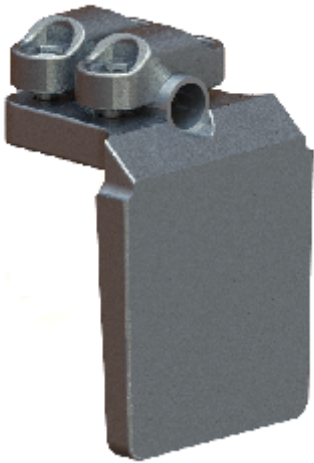


REFERENCE
MLBP

90° terminal for tube to flatbar.

Material: Casting - Aluminum Alloy

Hardware: Stainless or Galvanized Steel



NOTE: *other flat dimensions & hole patterns available.*

CATALOG NUMBER	CONDUCTOR SIZE	DIMENSIONS				Tightening torque (ft.lb)
	A	B	C	D	E	
MLBP-733N	2 1/2	3	3	0.59	3.94	40
MLBP-734N	2 1/2	4	4	0.59	3.94	40
MLBP-893N	3	3	3	0.59	3.94	40
MLBP-894N	3	4	4	0.59	3.94	40
MLBP-1013N	3 1/2	3	3	0.59	3.94	40
MLBP-1014N	3 1/2	4	4	0.59	3.94	40
MLBP-1144N	4	4	4	0.59	4.33	55
MLBP-1414N	5	4	4	0.59	4.72	55