



REFERENCE
LFBP45

45° expansion connector with guide for union copper tube to flatbar.

Material: Casting - Bronze

Laminations: Copper

Hardware: Stainless or Galvanized Steel

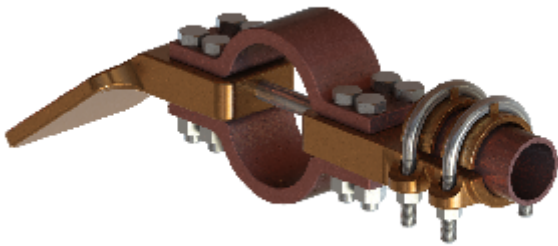


FIG. 1

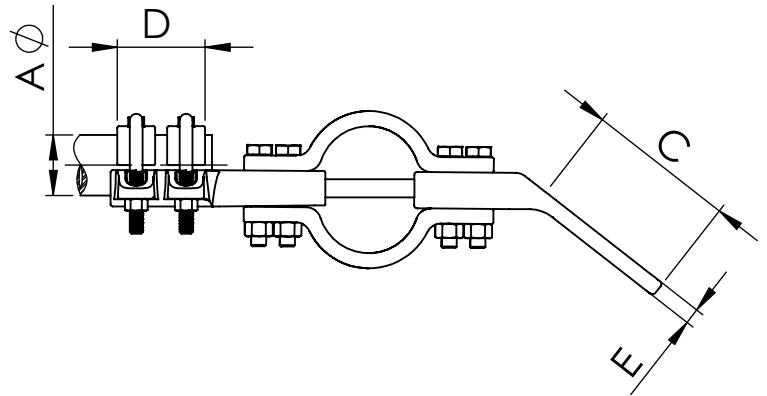
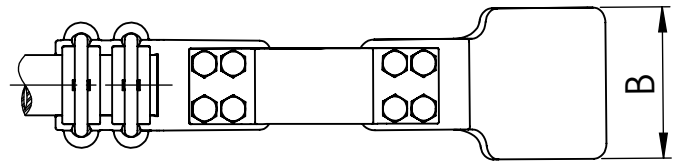
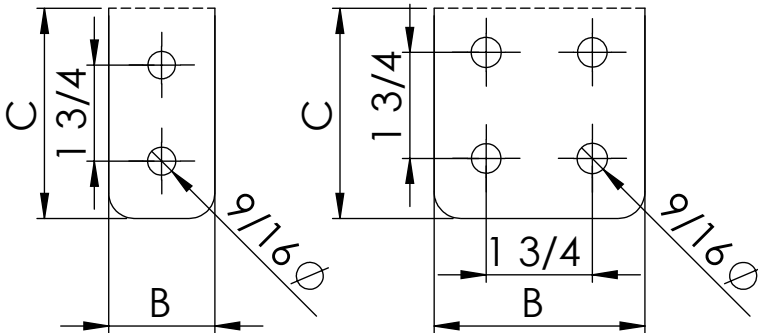


FIG. 2



Note: *other flat dimensions & hole patterns available*

CATALOG NUMBER	FIG NO.	DIMENSIONS					Tightening torque (ft.lb)
		A	B	C	D	E	
LFBP45-332N	1	1	2	3	2.44	0.39	20
LFBP45-333N	2	1	3	3	2.44	0.39	20
LFBP45-334N	2	1	4	4	2.44	0.39	20
LFBP45-422N	1	1 1/4	2	3	2.64	0.39	20
LFBP45-423N	2	1 1/4	3	3	2.64	0.39	20
LFBP45-424N	2	1 1/4	4	4	2.64	0.39	20
LFBP45-482N	1	1 1/2	2	3	2.95	0.39	20
LFBP45-483N	2	1 1/2	3	3	2.95	0.39	20
LFBP45-484N	2	1 1/2	4	4	2.95	0.39	20
LFBP45-602N	1	2	2	3	3.15	0.47	20
LFBP45-603N	2	2	3	3	3.15	0.39	20
LFBP45-604N	2	2	4	4	3.15	0.39	20