

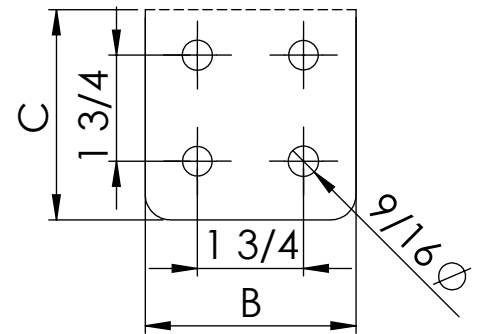
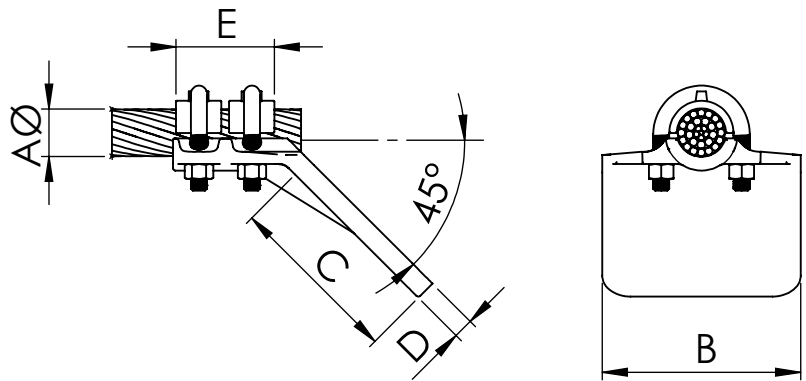
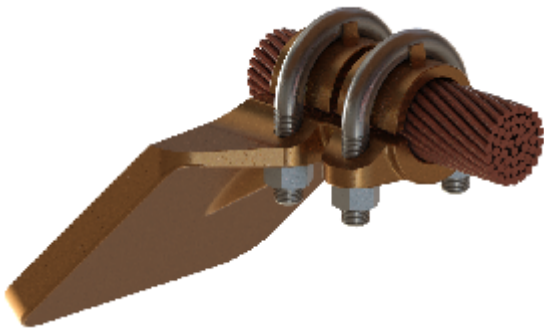


REFERENCE
LCP45

45° connector for union copper cable to copper flatbar.

Material: Casting - Bronze

Hardware: Stainless or Galvanized Steel



Note: *specify another angles*

other flat dimensions & hole patterns available

CATALOG NUMBER	CONDUCTOR RANGE	DIMENSIONS					Tightening torque (ft.lb)
		A	B	C	D	E	
LCP45-703N	0.35-0.41	3	3	0.28	1.85	300	15
LCP45-704N	0.35-0.41	4	4	0.28	1.85	300	15
LCP45-1503N	0.49-0.61	3	3	0.31	1.85	400	15
LCP45-1504N	0.49-0.61	4	4	0.31	1.85	400	15
LCP45-4003N	0.89-1.02	3	3	0.39	2.17	800	15
LCP45-4004N	0.89-1.02	4	4	0.39	2.17	800	15
LCP45-5003N	1.14	3	3	0.39	2.44	1250	20
LCP45-5004N	1.14	4	4	0.39	2.44	1250	20